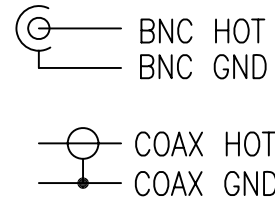


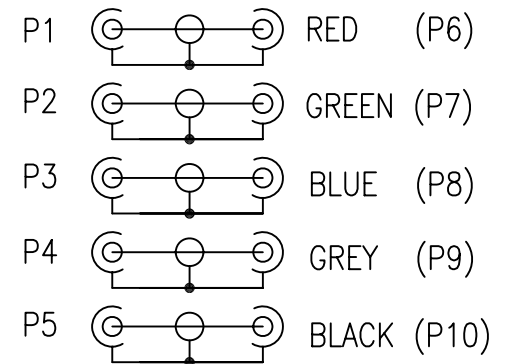
L	T
L≤6FT	+30/-0mm
6FT<L≤10FT	+50/-0mm
10FT<L≤30FT	+150/-0mm
L>30FT	+200/-0mm

NOTE:

- CABLE: (28AWG X 5 COAX, EACH COAX SPIRAL SHIELDED, UL1354, COLOR CODE: RED, GREEN, BLUE, GREY, BLACK), AL-FOIL AND BRAID (85%) SHIELDED WITH DRAIN, UL2919 + CUL IA FT1, BLACK(TNT-BK) PVC JACKET. OD=9.0±0.15mm
- CONNECTOR: P1~P10: BNC MALE, GOLD FLASH CONTACTS, 75 OHM .
- ALL HOOD & STRAIN RELIEF : MOLDED BLACK(TNT-BK) PVC.
- PACKING: EACH CABLE IN A TNT PRINTED POLY-BAG.
- ELECTRICAL TEST:
 - 100% CONTINUATION TEST, WITHOUT SHORT & OPEN & MISWIRE
 - VOLTAGE TEST: 300V
INSULATION RESISTANCE: 10M OHM/min
CONTRACTED RESISTANCE: 2 OHM/max



PIN OUT



TOLERANCE INCHES		M/M	Tri-Net Technology, Inc. http://www.trinetusa.com			
.X	.015	.30	SCALE	NONE	REV	A
.XX	.010	.10	UNIT	MM		
.XXX	.005	.05	SHEET	1/1	DWG NO.	
DRAWN BY			DATE	03/10/06		
CHECK BY			TITLE 5BNCM TO 5BNCM			
APPD BY			PART NO. E07-5BNCM-5BNCM-XX			

