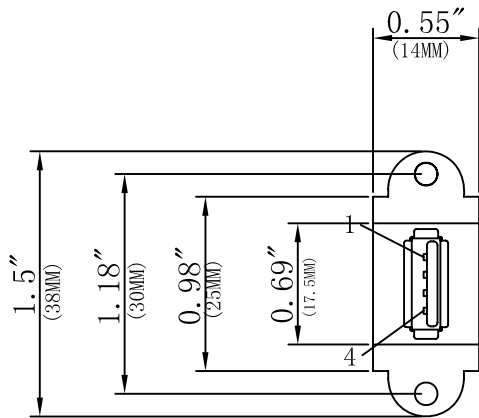
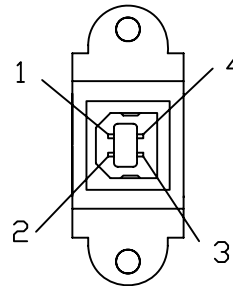
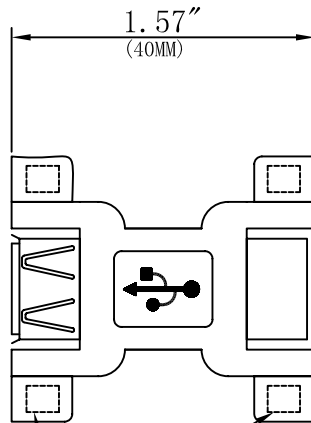


#4-40 UNC

TNT P/N:SCR-A-10-01



P1 USB A/F



P2 USB B/F

#4-40 NUT INSIDE

PIN OUT

A Female

B Female

1	_____
2	_____
3	_____
4	_____
G	_____

1
2
3
4
G

NOTE:

WIRE: UL1061 26AWG 18mm.

CONN.: P1: USB A TYPE FEMALE, CONTACT MATERIAL: BRASS, GOLD PLATED OVER, SHELL NICKEL PLATED.

P2: USB B TYPE FEMALE, CONTACT MATERIAL: BRASS, GOLD PLATED OVER, SHELL NICKEL PLATED.

ALL HOOD: MOLD PVC: 25P BEIGE (TNT-BG-02), MOLDED NO: TNT-UABF-01.

TEST: INSULATION RESISTANCE 10M OHM MIN AT DC500V.



TOLERANCE		INCHES		M/M		TNT Tri-Net Technology, Inc. http://www.trinetusa.com				
.X	.015			.30	SCALE	NONE		⊕	REV	A
.XX	.010			.10	UNIT	MM				
.XXX	.005			.05	SHEET	1/1		DWG NO.		
DRAWN BY					DATE	08/05/05				
CHECK BY					TITLE USB A/F TO USB B/F					
APPD BY					PART NO. U09-AF-BF					