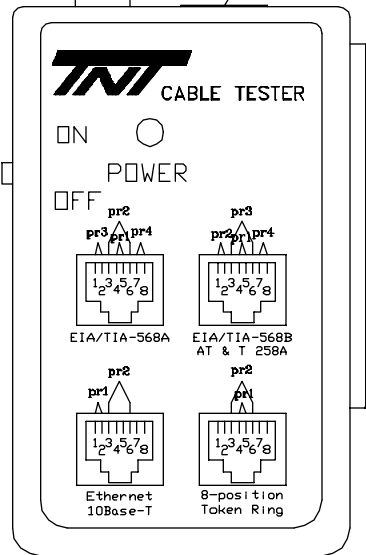
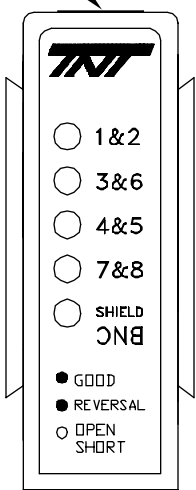


BNC RJ45



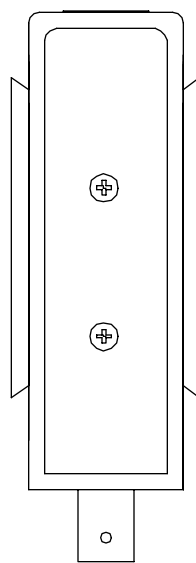
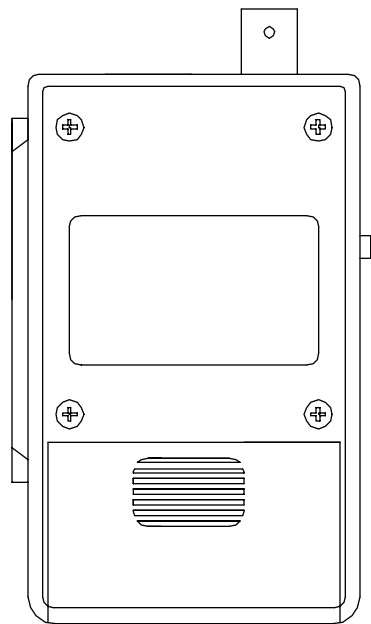
MASTER

RJ45



BNC

REMOTE



REVISIONS				
ZONE	REV	DESCRIPTION	DATE	APPROVED

The 069-TNT is a low-cost, portable cable tester. It consists of two devices which perform a reliable testing of premise cabling and patch cords. Shielded RJ45 and BNC are equipped on both units.

The user simply connects the 069-TNT devices to both ends of the cable to be tested. Each pair is tested and displayed the status on one of the five dual LEDs indicates OPEN, SHORTS, REVERSALS wires, and CROSS pairs.

The two units separate for premise cable tests and can be joined together for patch cord testing.

- \*Tests shielded and unshield RJ45
- Ethernet 10Base-T
- EIA/TIA-568A
- EIA/TIA-568B(AT&T 258A)
- 8-position Token Ring
- \*Coaxial cable
- \*Run on one 9V battery
- \*Master measures(mm)
- 63W x 112H x 27D
- \*Remote measures(mm)
- 34W x 100H x 27D

SSHEET OF	ALL COPY RIGHTS RESERVED		
SIZE A4	Tri-Net Technology/USA		
DIA mm			
DATE OCT,14,96"	PART NUMBER	069-TNT	
DWG FILE C1001	DRAWN		CHECKED
SCALE			