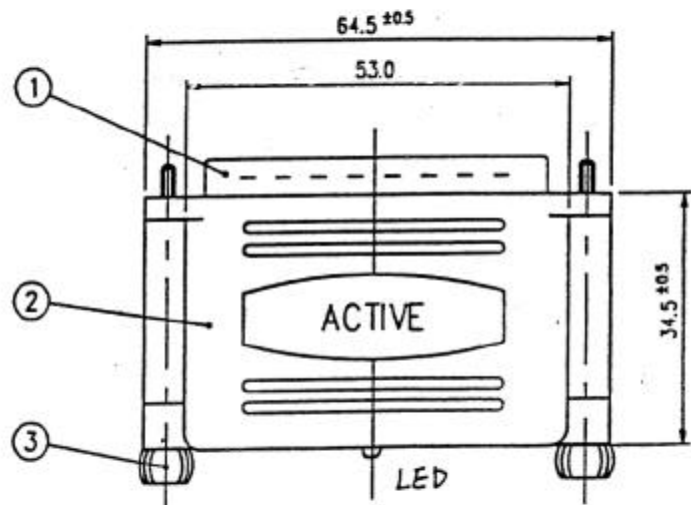
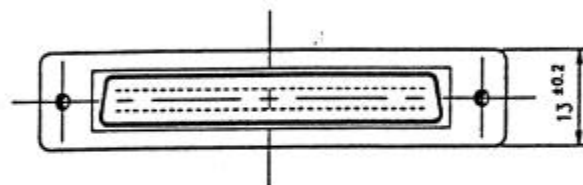



NOTES

- C1 : 4.7 μ F \pm 20% Tantalum 16V
- C2 : 22 μ F \pm 20% Tantalum 16V
- C3 : 0.1 μ F \pm 20% Ceramic 16V
- R1 : 110 Ω , 0.125 Watt, 27 Plc
- U1 : BB11172
- NC : 19, 53

INSULATION RESISTANCE:
10M Ω UNDER WORKING VOLTAGE
OF 5V DC

- ① HALF PITCH D-SUB 68 MALE
- ② OVERMOLD
- ③ THUMB SCREW



日期: DATE	87.06.01	繪圖 DRAWN	CHOUZ	PART NO : D05-SD68M-A-JS	 Tri-Net Technology, Inc./U.S.A.	圖號 DRAWING NO
版次: REV.	1	比例 SCALE	1 : 1			TER-0009
單位: UNIT	mm	核准 APPROVAL				