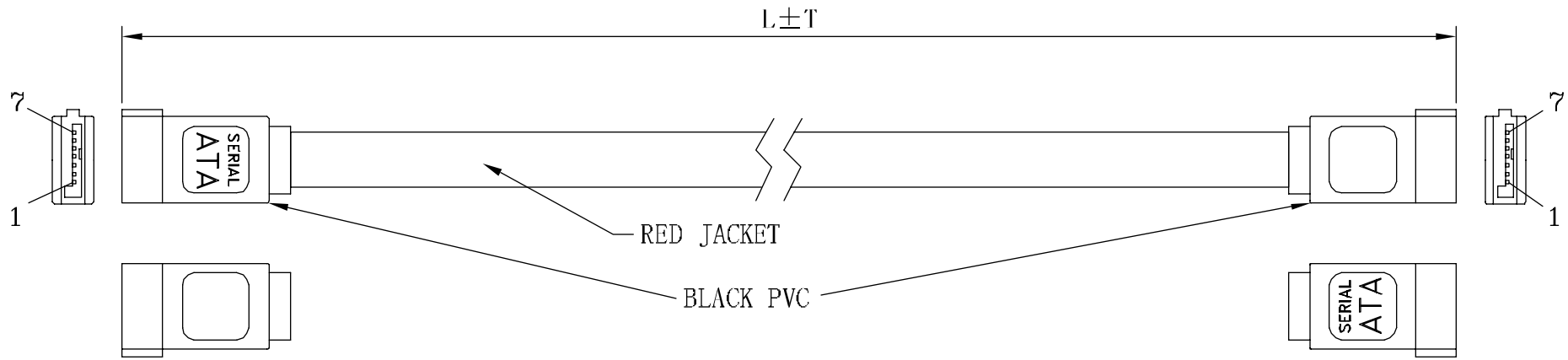


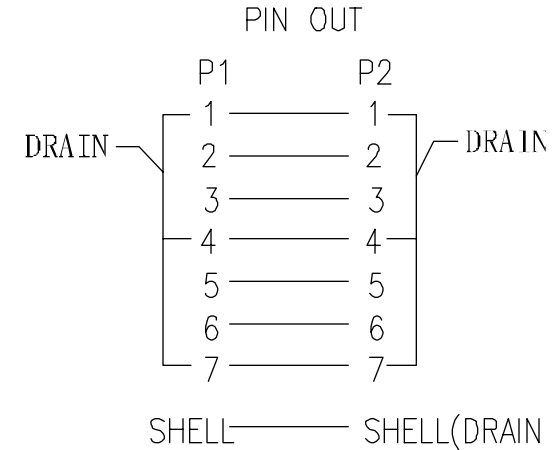
| REV | DESCRIPTION | DATE | APP'D |
|-----|-------------|------|-------|
| | | | |



P1 SERIAL ATA 7PIN PLUG

P2 SERIAL ATA 7PIN PLUG

| P/N | INCH | L(mm) | T(mm) |
|----------------|------|-------|---------|
| D21-SATA150-18 | 18 | 457 | +10/-10 |
| D21-SATA150-24 | 24 | 610 | +10/-10 |
| D21-SATA150-30 | 30 | 762 | +15/-15 |
| D21-SATA150-36 | 36 | 914 | +15/-15 |



NOTES:

- CABLE: SERIAL ATA CABLE: {26AWG(1/0.404)*2C+AL.MY+ DRAIN WIRE[26AWG(1/0.404)*2C]*2F, OD:3.80*8.30mm RED PVC JACKET.
- CONNECTOR: P1&P2: SERIAL ATA 7PIN PLUG, GOLD PLATED CONTACTS.
- HOOD: MOLDED BLACK PVC.
- ELECTRICAL PROPERTIES:
 - IT SHALL HAVE NOT ANY OPEN/SHORT, MISWIRING AND INTERMITTENT.
 - THE CABLE SHALL BE 100% ELECTRICAL TEST.
 - INSULATION RESISTANCE:2M OHM MIN.
 - CONDUCTANCE RESISTANCE:5 OHM MAX.
 - HI-POT TEST:DC 300 MIN.

| TOLERANCE | | | TITLE: SERIAL ATA 150 CABLE | | |
|-----------|------|-------|-----------------------------|------------------------------|--|
| INCHES | M/M | | PART NO. : D21-SATA150-XX | | |
| .X | .015 | | .30 | DRAWING NO. : D21-SATA150-XX | |
| .XX | .010 | .10 | REV | | |
| .XXX | .005 | .05 | A | | |
| DRAWN BY | | SCALE | NONE | DATE | |
| CHECK BY | | UNIT | MM | 12/13/02 | |
| APPD BY | | | | | |