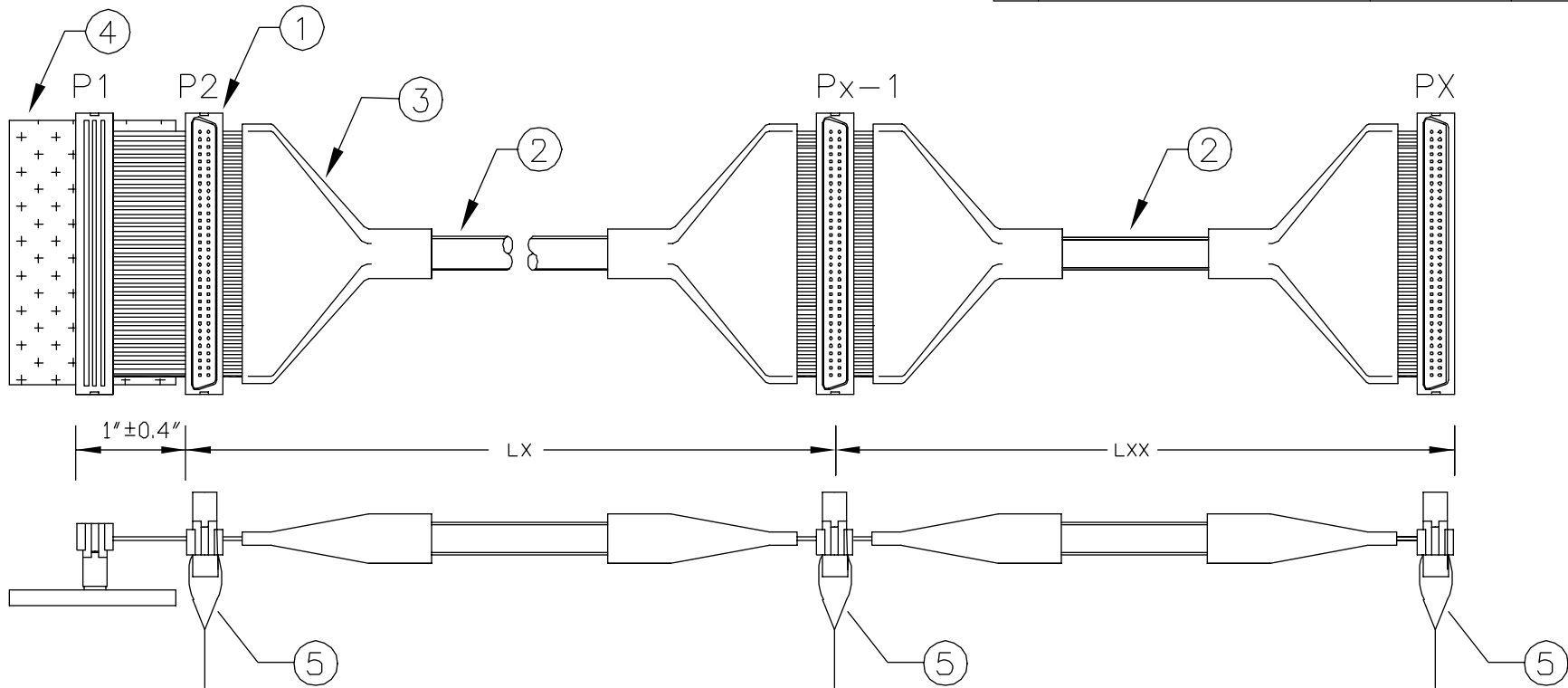


Note: 1. All of the Pin 1 Match the Red Stripe.

REVISIONS			
REV	DESCRIPTION	DATE	APPROVED
A		01/16/02	



D19-868	8 SET	8"	8"	8"	8"	8"	8"	20"
D19-760	7 SET	8"	8"	8"	8"	8"		20"
D19-652	6 SET	8"	8"	8"	8"			20"
D19-544	5 SET	8"	8"	8"				20"
D19-436	4 SET	8"	8"					20"
D19-336	3 SET	8"						28"
D19-324	3 SET	8"						16"
D19-318	3 SET	6"						12"
P/N	TOTAL	L1	L2	L3	L4	L5	L6	LXX
	CONN.	LX						

APPROVED BY
COMPANY: _____
PURCHASING/ENGINEER: _____
DATE: _____

5	Pull Tab
4	Ultra-3 160 Terminator
3	Red PVC Boot
2	30 AWG*34 Twisted Pairs, AL-Foil/ Mylar, Drain Widre UL 20276, Red Color (RD006), OD=9.0±0.2, Insulator Material: FOAM PE+SKIN
1	68 Pin Male Connector w/ Strain Relief

UNLESS OTHERWISE SPECIFIED TOLERANCE: ± 0.50"	Ultra-3 160 Red Round Cable		
CUSTOMER	<b>Tri-Net</b>		
ARTIST/ENGINEER Lu	PART NO. D19-XXX	SIZE A	REV A
UNIT INCH	DWG NO. RIB-20475	SHEET 1 of 1	