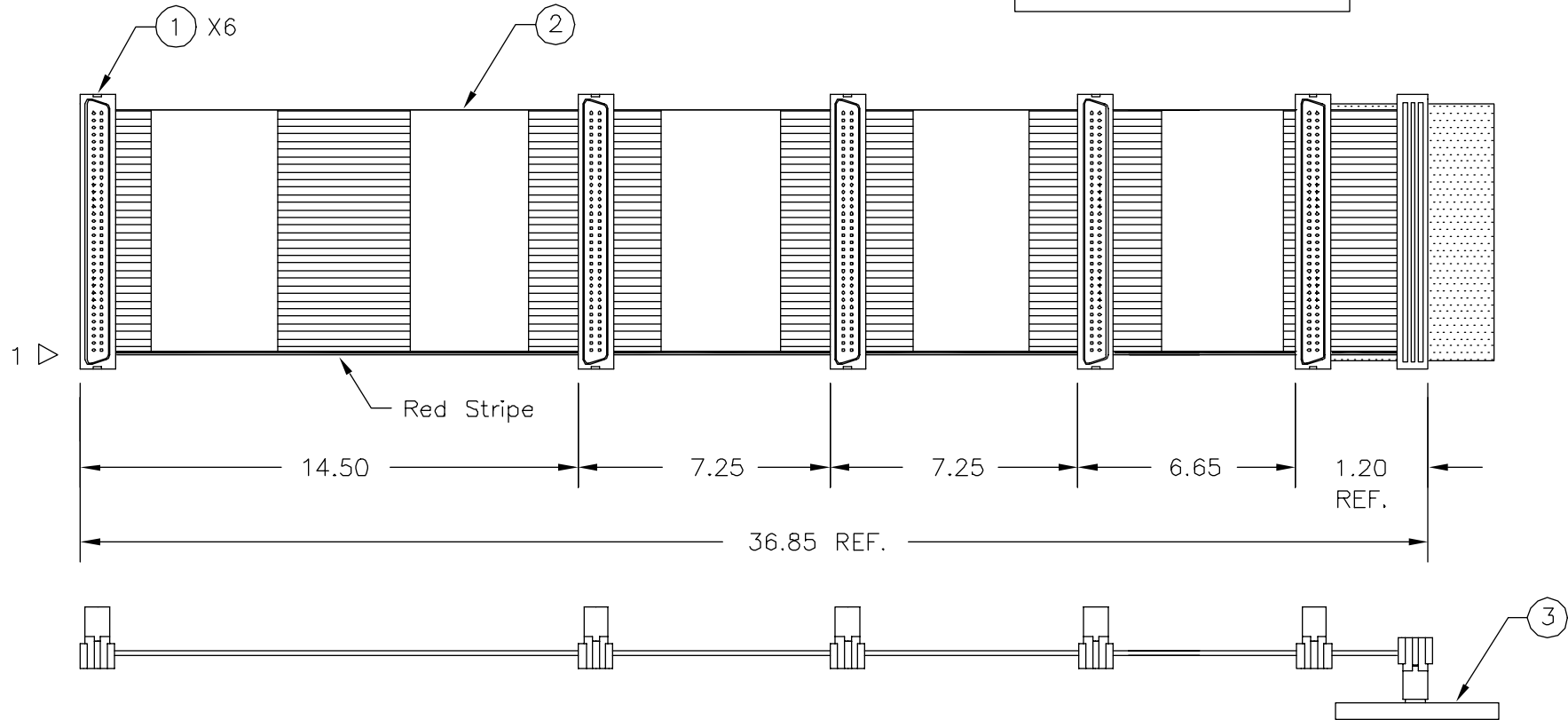


Note:

1. All of the Pin 1 of Connectors Match the Red Stripe.

REVISIONS			
REV	DESCRIPTION	DATE	APPROVED
B		11/25/98	

USE PVC 7.25" CABLE



APPROVED BY _____
 COMPANY: _____
 PURCHASING/ENGINEER: _____
 DATE: _____

3	LVD/S.E. Active Terminator, Plug-In Type
2	68-Cond. 0.025" Twisted Flat 30 AWG PVC Laminated Cable AMPHENOL P/N: 125-3099-997
1	68 Pin Male Connector
UNLESS OTHERWISE SPECIFIED TOLERANCE: .XX ± 0.30	
PART NUMBER D14-LVD-40-4	
68P Male X5 w/ LVD Terminator, 37"	
TNT Tri-Net Technology/USA	
DRAWN BY JONG	SIZE A
DWG NO. RIB-10825	
REV B	
UNIT INCH	SCALE NONE
SHEET 1 of 1	