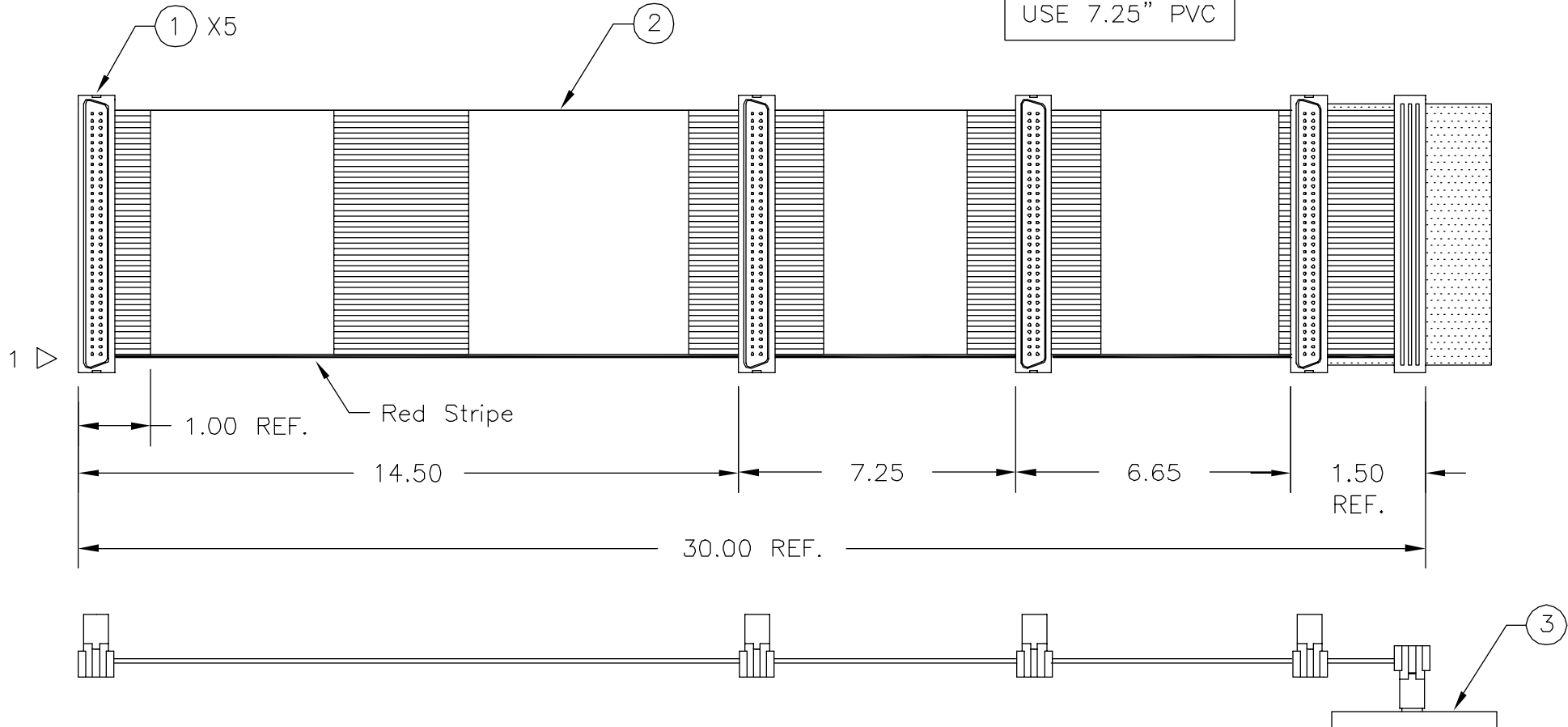


Note:

1. All of the Pin 1 of Connectors Match the Red Stripe.

REVISIONS			
REV	DESCRIPTION	DATE	APPROVED
A		11/19/98	

USE 7.25" PVC



APPROVED BY  
 COMPANY: \_\_\_\_\_  
 PURCHASING/ENGINEER: \_\_\_\_\_  
 DATE: \_\_\_\_\_

3	LVD/S.E. Active Terminator, Plug-In Type
2	68-Cond. 0.025" Twisted Flat 30 AWG PVC Laminated Cable AMPHENOL P/N: 125-3099-997
1	68 Pin Male Connector
UNLESS OTHERWISE SPECIFIED TOLERANCE: .XX ± 0.30	
68P Male Conn. X4 w/ LVD Terminator	
PART NUMBER D14-LVD-40-3	
<b>TNT</b> Tri-Net Technology/USA	
DRAWN BY JONG	SIZE A
UNIT INCH	DWG NO. RIB-10858
SCALE NONE	
REV A	
SHEET 1 of 1	