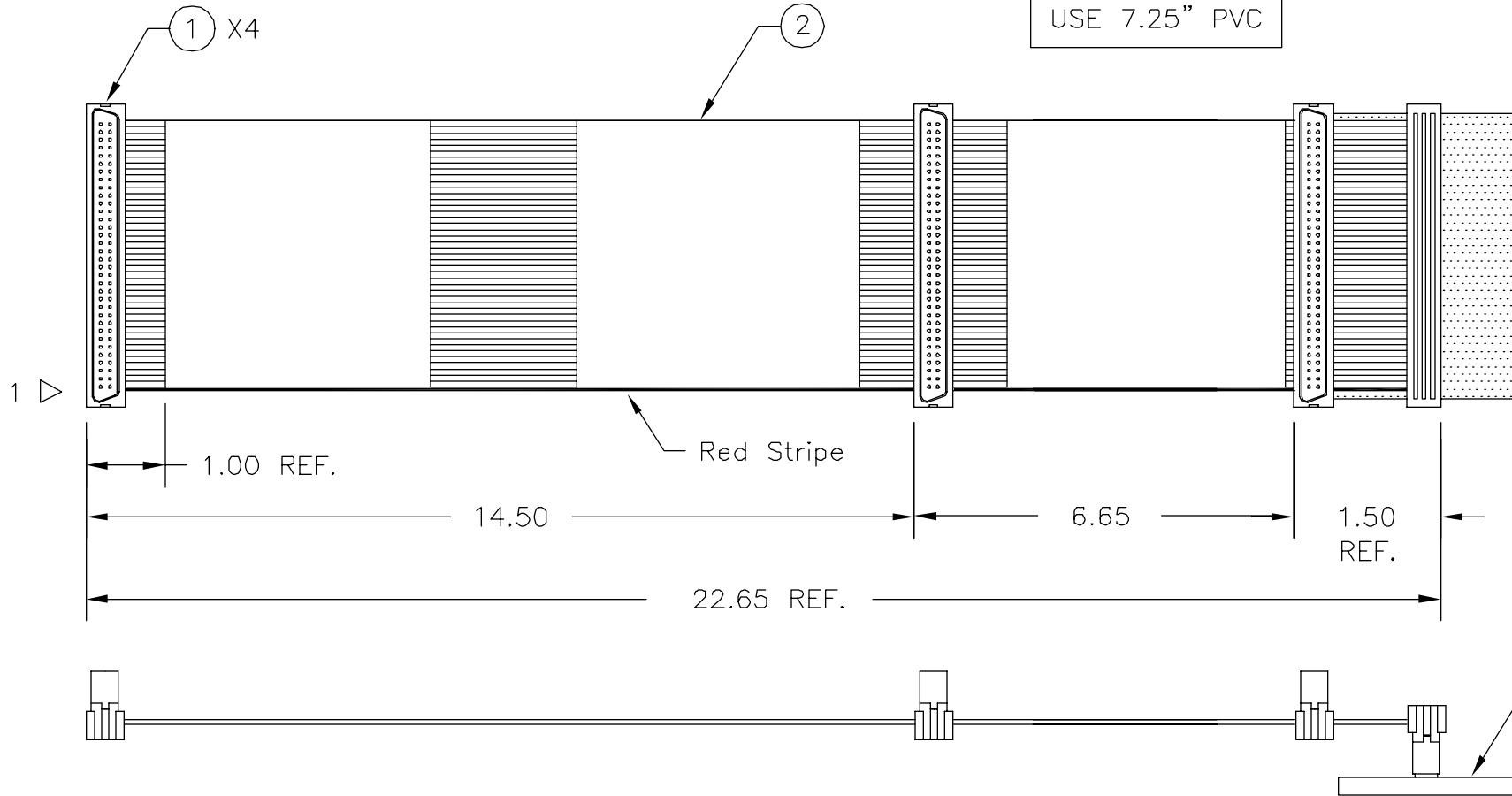


Note:

1. All of the Pin 1 of Connectors Match the Red Stripe.

REVISIONS			
REV	DESCRIPTION	DATE	APPROVED
A		11/25/98	



APPROVED BY _____
 COMPANY: _____
 PURCHASING/ENGINEER: _____
 DATE: _____

3	LVD Active Terminator, Plug-In Type		
2	68-Cond. 0.025" Twisted Flat 30 AWG PVC Laminated Cable AMPHENOL P/N: 125-3099-997		
1	68 Pin Male Connector		
UNLESS OTHERWISE SPECIFIED TOLERANCE: .XX ± 0.30		68P Male Conn. X3 w/ LVD Terminator	
PART NUMBER D14-LVD-40-2		TNT Tri-Net Technology/USA	
DRAWN BY JONG	SIZE A	DWG NO. RIB-10864	REV A
UNIT INCH	SCALE NONE	SHEET 1 of 1	