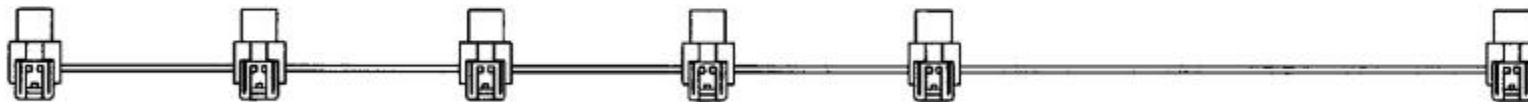
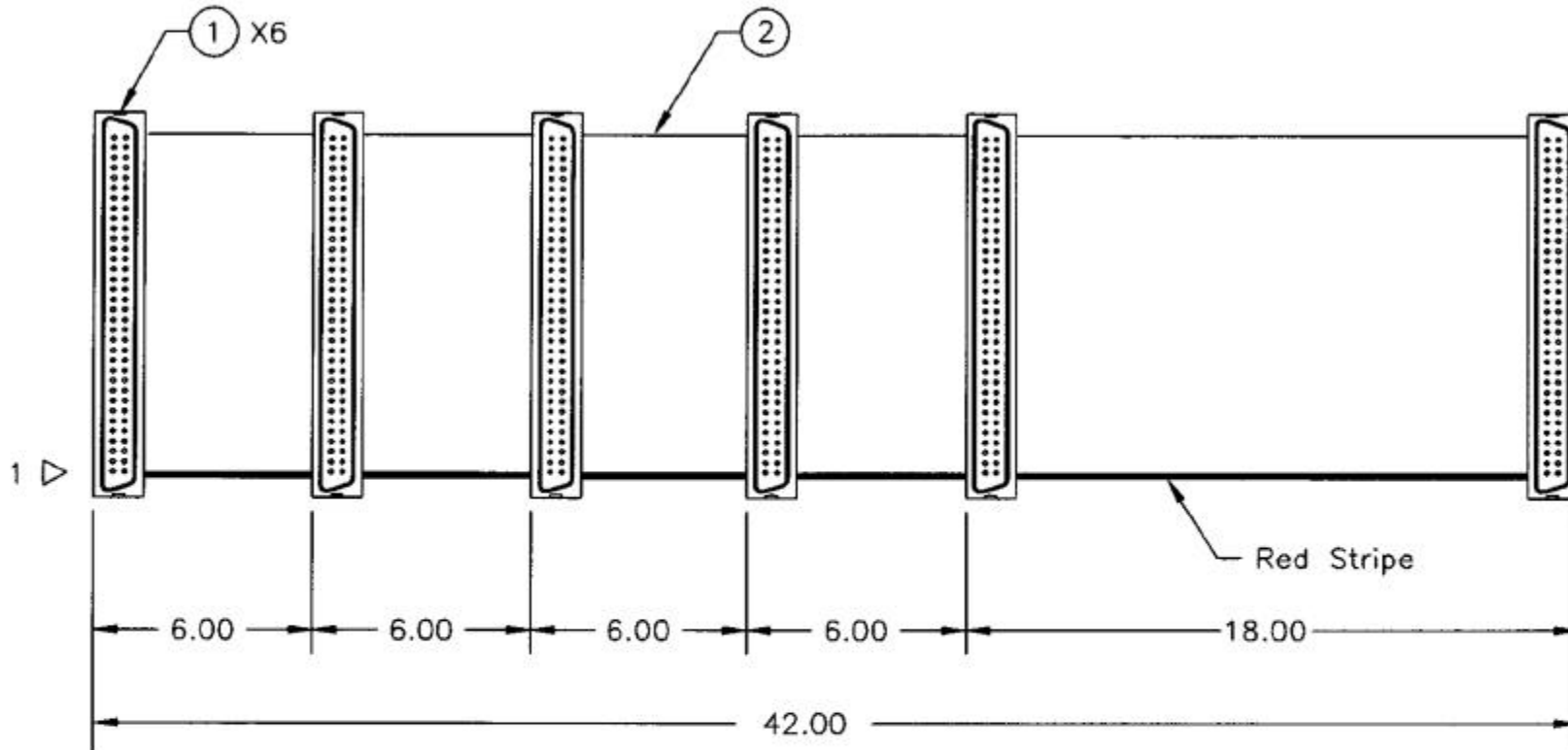


Note:

1. All of the Pin 1 of Connectors Match the Red Stripe.

REVISIONS			
REV	DESCRIPTION	DATE	APPROVED
A		07/07/98	



APPROVED BY

COMPANY: \_\_\_\_\_

PURCHASING/ENGINEER: \_\_\_\_\_

DATE: \_\_\_\_\_

2	68 Cond., 30 AWG Stranded Flat Ribbon Cable		
1	68 Pin Male Connector		
UNLESS OTHERWISE SPECIFIED TOLERANCE: .XX ± 0.25		68P Male Conn. X6, 42"	
CUSTOMER P/N D11-SD68M-5		<b>TNT</b> Tri-Net Technology / U.S.A.	
DRAWN BY JONG	SIZE A	DWG NO. RIB-10707	REV A
UNIT INCH	SCALE NONE	http://www.trinetusa.com	
			SHEET 1 of 1