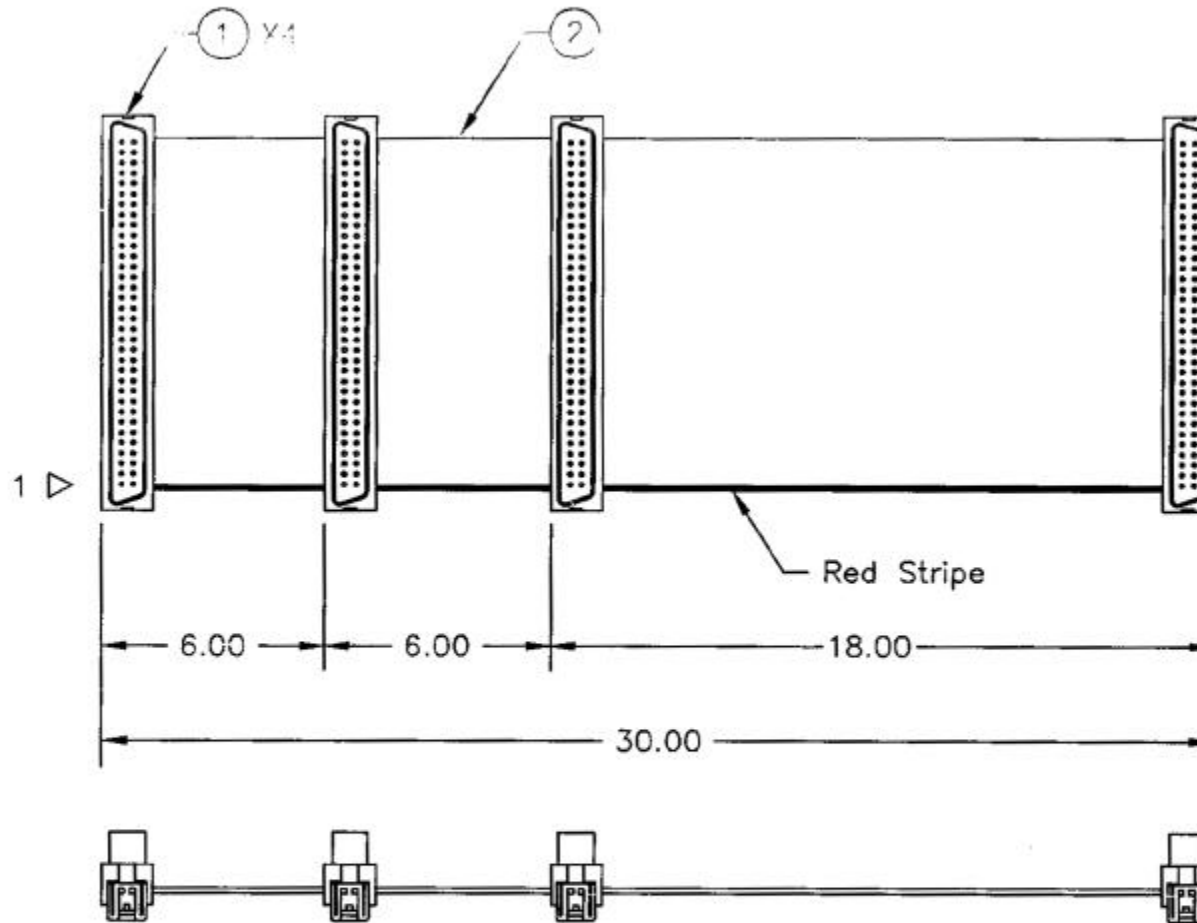



Note:

1. All of the Pin 1 of Connectors Match the Red Stripe.

REVISIONS			
REV	DESCRIPTION	DATE	APPROVED
A		07/07/98	



2	68 Cond., 30 AWG Stranded Flat Ribbon Cable		
1	68 Pin Male Connector		
UNLESS OTHERWISE SPECIFIED TOLERANCE: .xx ± 0.25		68P Male Conn. X4, 30"	
CUSTOMER P/N D11-SD68M-3		 Tri-Net Technology / U.S.A.	
DRAWN BY JONG	SIZE A	DWG NO. RIB-10705	REV A
UNIT INCH	SCALE NONE	<a href="http://www.trinetusa.com">http://www.trinetusa.com</a> SHEET 1 of 1	