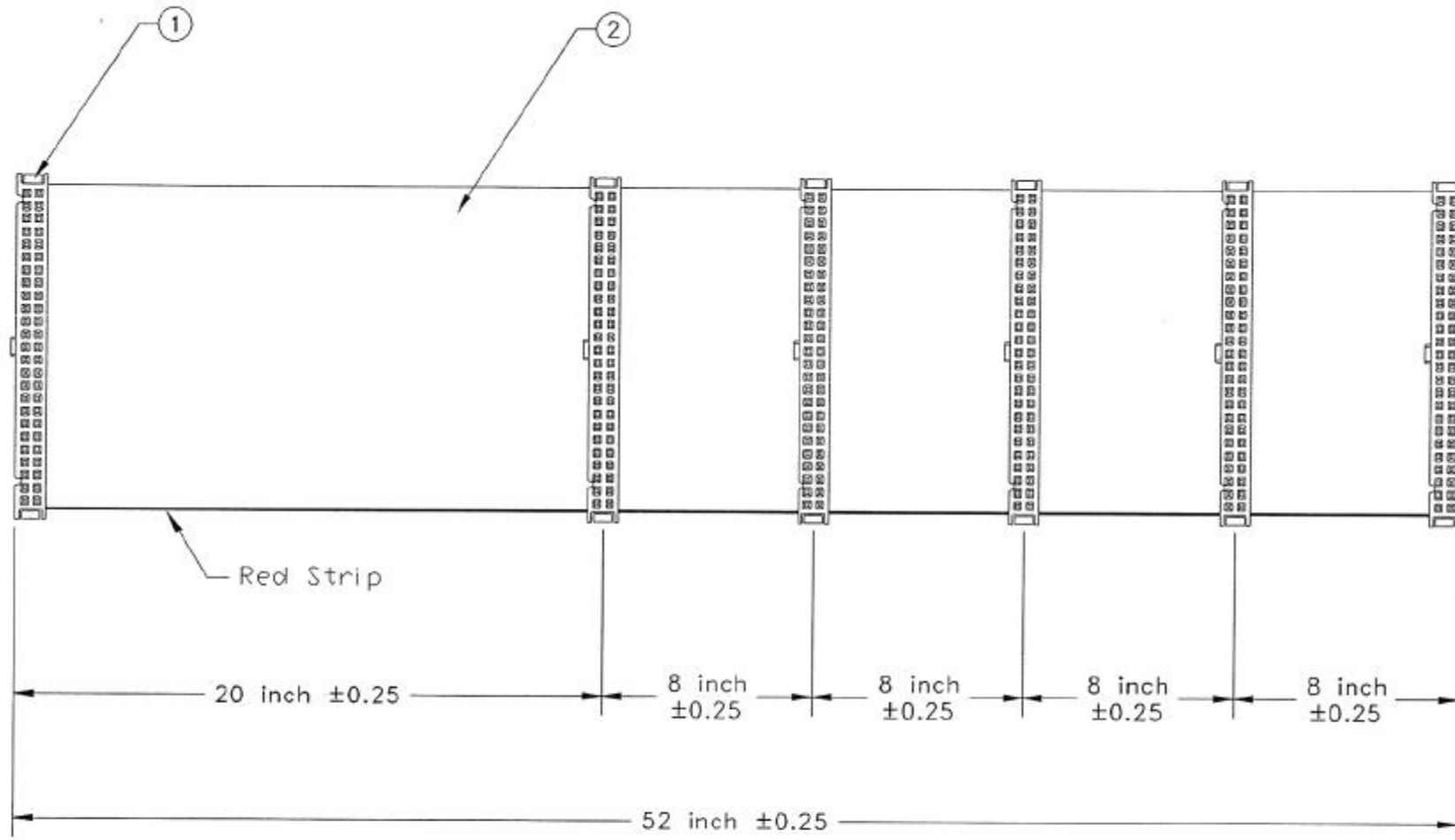


REVISION			
LTR	DESCRIPTION	DATE	APPROVED
A	NEW RELEASE	10/23/97	H.T.



UNLESS OTHERWISE SPECIFIED:
 1. DIMENSIONS ARE IN INCHS
 2. TOLERANCES:
 DECIMALES X.XX ±0.25
 3. DO NOT SCALE DRAWING
 4. REMOVE ALL BURRS AND
 BREAK SHARP EDGES.

PROPRIETARY DOCUMENT
 THIS DRAWING AND/OR INFORMATION OF
 SUBJECT MATTER CONTAINED HEREIN,
 SHALL NOT BE USED, COPIED OR
 DISSEMINATED IN ANY MANNER, OR FOR
 ANY PURPOSE, OTHER THAN AS
 EXPRESSLY STATED BY
 COMTOP Enterprises Corp.

CUSTOMER	
R.F.O. NO.	
DRAWN	DATE
Howie Tseng	10/23/97
CHECKED	
CUSTOMER APPROVAL	

TNT Tri-Net Technology / U.S.A.

TITLE
 SCSI 1 Internal Ribbon Cable

SIZE	DWG NO.	PART NO.	REV.
	2101-652	D11-950-005	A
SCALE: NONE	RELEASE DATE: 10/23/97	SHEET: 1 OF 1	

ITEM NO.	MATERIAL / SPECIFICATION	QTY	UNIT
2.	28 AWG., 50 Conductors Ribbon Cable, Color Gray	52	inch
1.	IDC 50 Pin Female	6	PCS.
CABLE ASSEMBLY PARTS LIST			