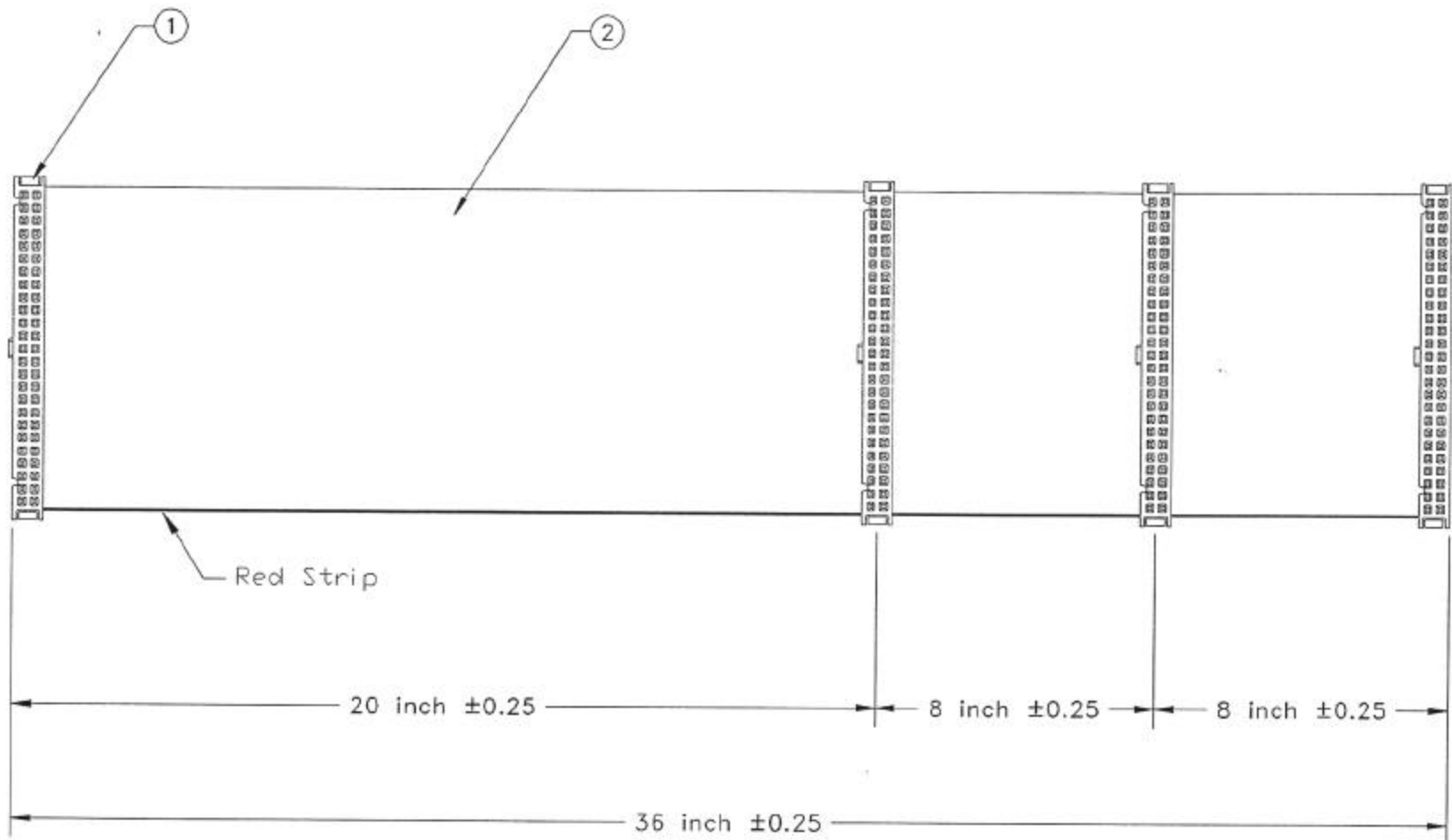


REVISION			
LTR	DESCRIPTION	DATE	APPROVED
A	NEW RELEASE	10/23/97	H.T.



ITEM NO.	MATERIAL / SPECIFICATION	QTY REQD	UNIT
2.	28 AWG., 50 Conductors Ribbon Cable, Color Gray	36	inch
1.	IDC 50 Pin Female	4	PCS.
CABLE ASSEMBLY PARTS LIST			

UNLESS OTHERWISE SPECIFIED 1. DIMENSION ARE IN INCHS. 2. TOLERANCES: DECIMALES X.XX ±0.25 3. DO NOT SCALE DRAWING 4. REMOVE ALL BURRS AND BREAK SHARP EDGES. PROPRIETARY DOCUMENT THIS DRAWING AND/OR INFORMATION OF SUBJECT MATTER CONTAINED HEREIN, SHALL NOT BE USED, COPIED OR DISSEMINATED IN ANY MANNER, OR FOR ANY PURPOSE, OTHER THAN AS EXPRESSLY STATED BY COMTOP Enterprises Corp.	CUSTOMER
	R.F.O. NO.
	DRAWN DATE Howie Tseng 10/23/97
	CHECKED
CUSTOMER APPROVAL	


Tri-Net Technology / U.S.A.

TITLE
SCSI 1 Internal Ribbon Cable

SIZE	DWG NO.	PART NO.	REV.
	2101-436	D11-950-003	A

SCALE: NONE RELEASE DATE: 10/23/97 SHEET: 1 OF 1