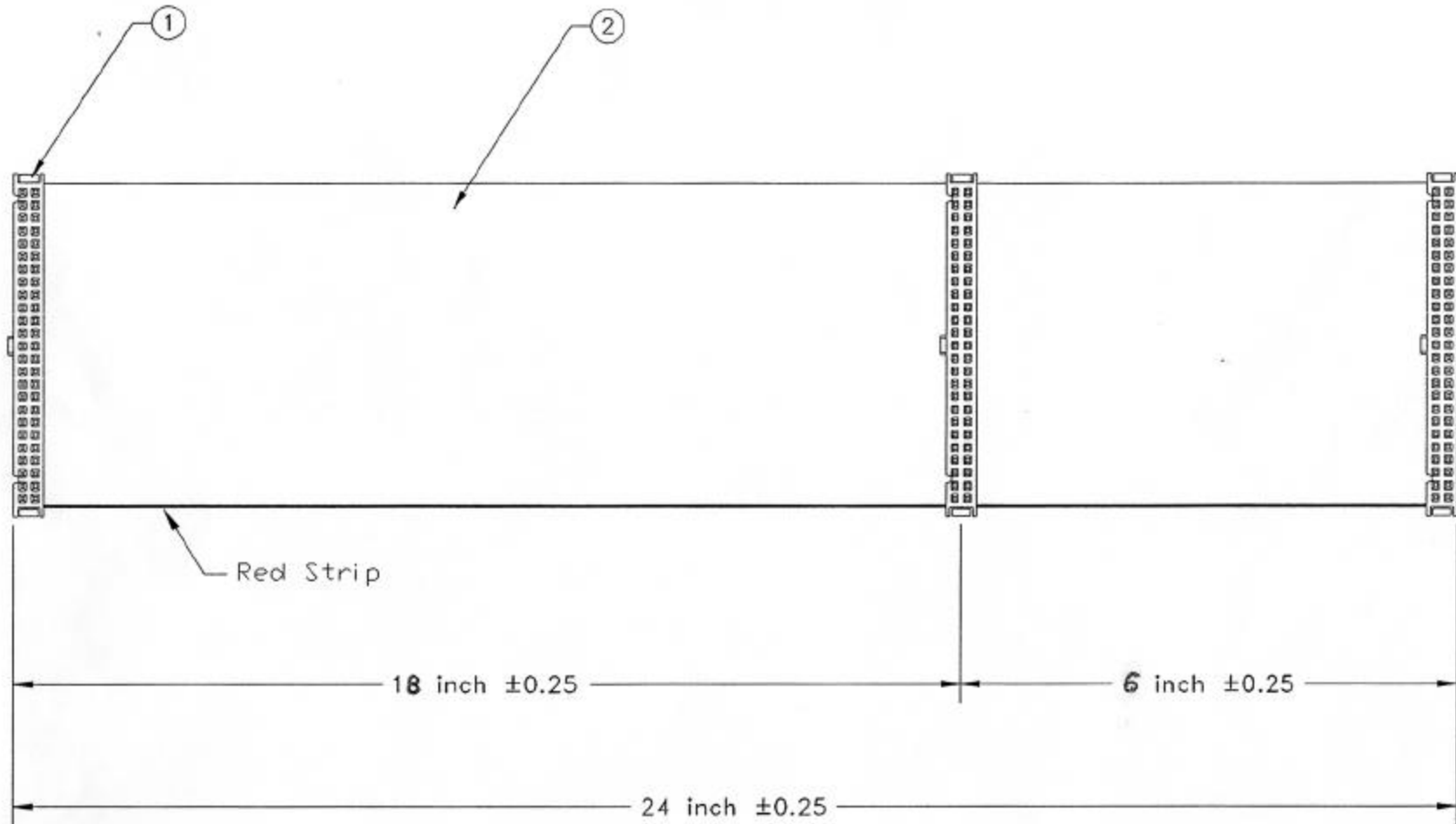



REVISION			
LTR	DESCRIPTION	DATE	APPROVED
A	NEW RELEASE	10/23/97	H.T.



ITEM NO.	MATERIAL / SPECIFICATION	QTY REQD	UNIT
2.	28 AWG., 50 Conductors Ribbon Cable, Color Gray	24	inch
1.	IDC 50 Pin Female	3	PCS.
CABLE ASSEMBLY PARTS LIST			

UNLESS OTHERWISE SPECIFIED: 1. DIMENSION ARE IN INCHS 2. TOLERANCES: DECIMALS X.XX ±0.25 3. DO NOT SCALE DRAWING 4. REMOVE ALL BURRS AND BREAK SHARP EDGES.	CUSTOMER
	R.F.D. NO.
	DRAWN DATE Howie Tseng 10/23/97
	CHECKED
PROPRIETARY DOCUMENT	CUSTOMER APPROVAL
THIS DRAWING AND/OR INFORMATION OR SUBJECT MATTER CONTAINED HEREIN, SHALL NOT BE USED, COPIED OR DISSEMINATED IN ANY MANNER, OR FOR ANY PURPOSE, OTHER THAN AS EXPRESSLY STATED BY COMTOP Enterprises Corp.	

 Tri-Net Technology / U.S.A.			
TITLE SCSI 1 Internal Ribbon Cable			
SIZE	DWG NO. 2101-324	PART NO. D11-950-002	REV. A
SCALE: NONE	RELEASE DATE: 10/23/97	SHEET: 1 OF 1	