

NOTE:

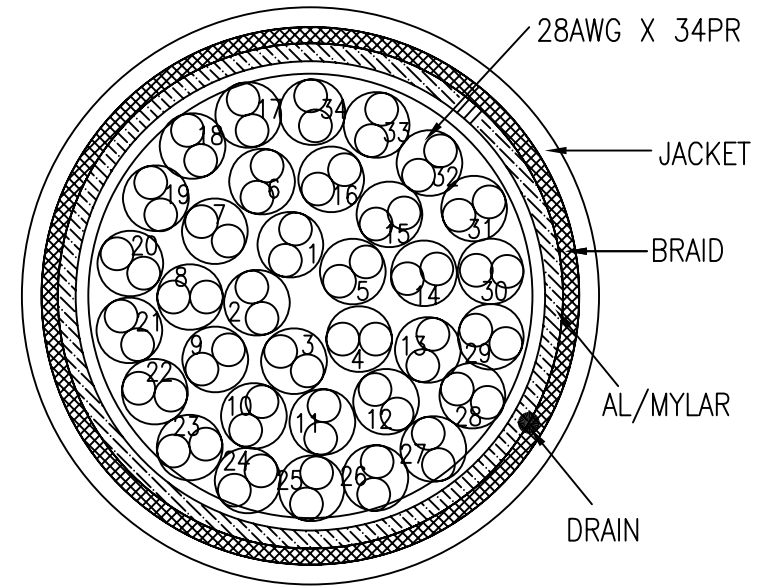
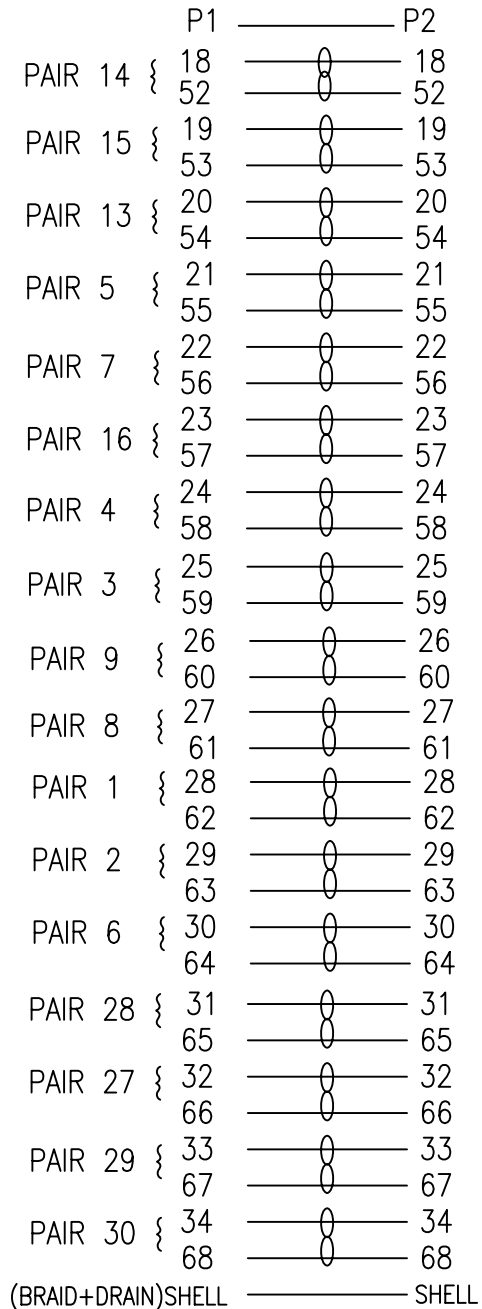
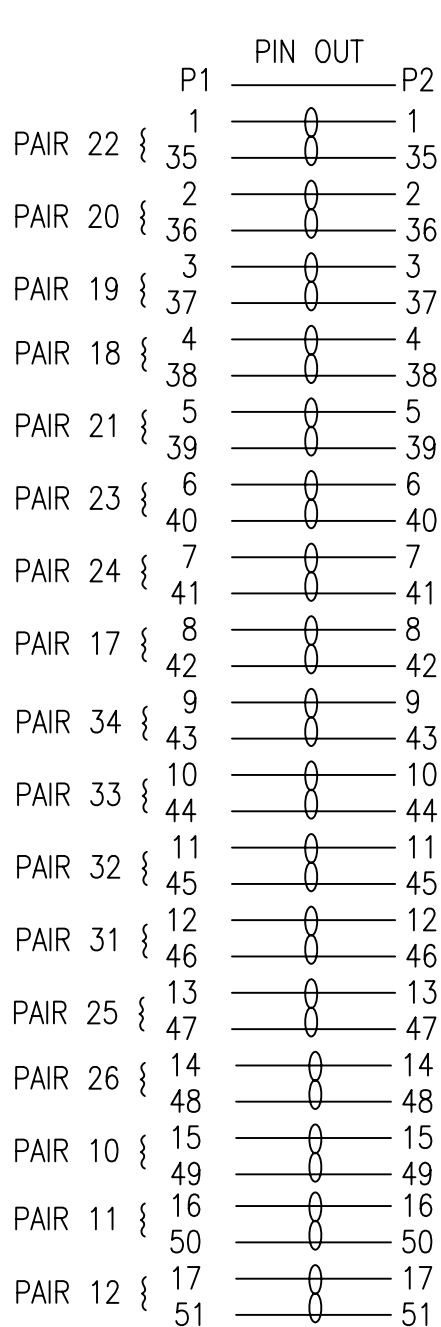
1. CABLE 30AWG X 34PAIRS+MYLAR+AL.MYLAR+DRAIN+BRAID, UL202076, BEIGE (BG-02) PVC JACKET, OD:10.2mm.
2. CONNECTOR:
 P1: HALF PITCH D-SUB 68PIN MALE: IDC TYPE,,GOLD FLASH CONTACTS, BLACK INSULATION, NICKEL PLATED SHELL.
 P2: VHDCI 68PIN MALE: RIBBON TYPE, IDC TYPE GOLD PLATED CONTACTS, NICKEL PLATED SHELL SHELL, INSULATOR:PBT BLACK.
3. THUMB SCREW MOLDED BEIGE (BG-02) 25P PVC.
4. SHIELDING: COPPER-FOIL TAPE COVER PREMOLD AND SOLDER TO CONNECTOR SHELL & CABLE BRAID.
5. ALL HOOD: MOLDED BEIGE (BG-02) PVC.
6. TESTING: 100% ELECTRICAL TESTING.
7. MOLD NO.: COVER-HPDB68; SCR-HPDB68-MSM-01.
 HPDB68-MSM-01; HPDB68-MSM-N01.

CHART 1

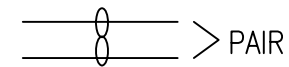
P/N	L	T
D15-USD68-SD68-06	1829	+50/-0
D15-USD68-SD68-03	914	+25/-0



TOLERANCE		INCHES		M/M		TNT Tri-Net Technology, Inc.	
.X	.015	.30	http://www.trinetusa.com		SCALE		NONE
.XX	.010	.10	UNIT		MM		REV
.XXX	.005	.05	DATE		08/26/06		DWG NO.
DRAWN BY		SHEET		1/2		TITLE	
CHECK BY		DATE		08/26/06		VHDCI 68M TO HPDB68M	
APPD BY		PART NO.		D15-USD68-SD68-XX			



CABLE CONSTRUCTION DRAWING



TOLERANCE			Tri-Net Technology, Inc.	
INCHES	M/M	http://www.trinetusa.com		
.X	.015	.30	SCALE	NONE
.XX	.010	.10	UNIT	MM
.XXX	.005	.05	SHEET	2/2
DRAWN BY			DATE	08/26/06
CHECK BY			DWG NO.	
APPD BY			TITLE	
			VHDCI 68M TO HPDB68M	
			PART NO.	
			D15-USD68-SD68-XX	

