

NOTE:

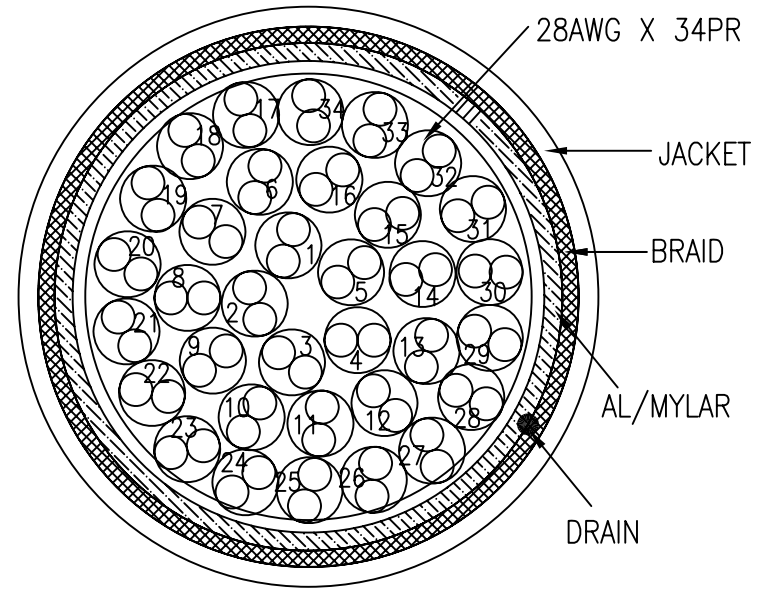
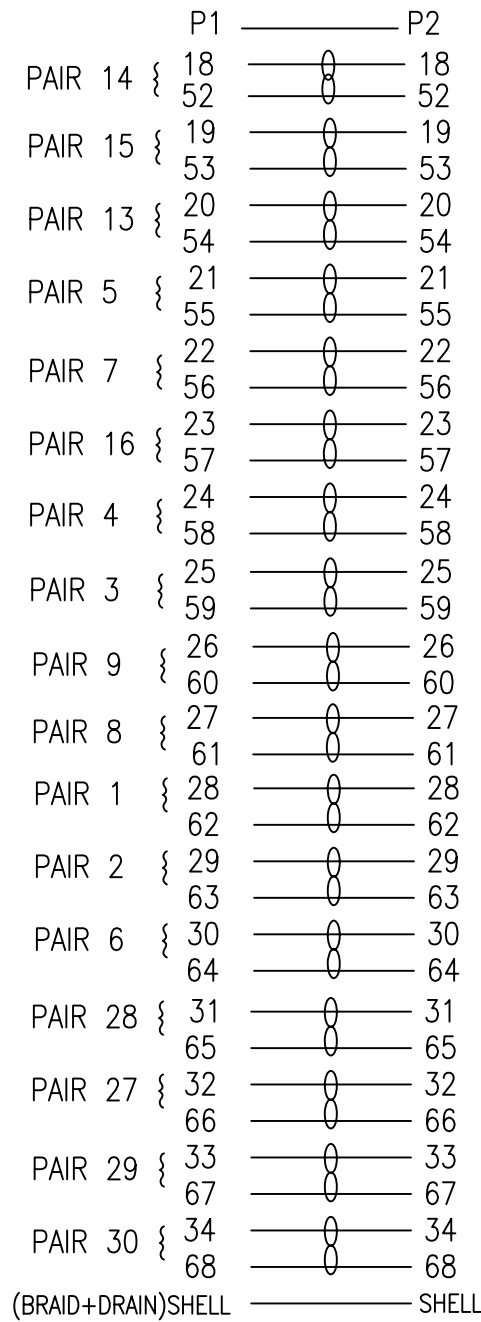
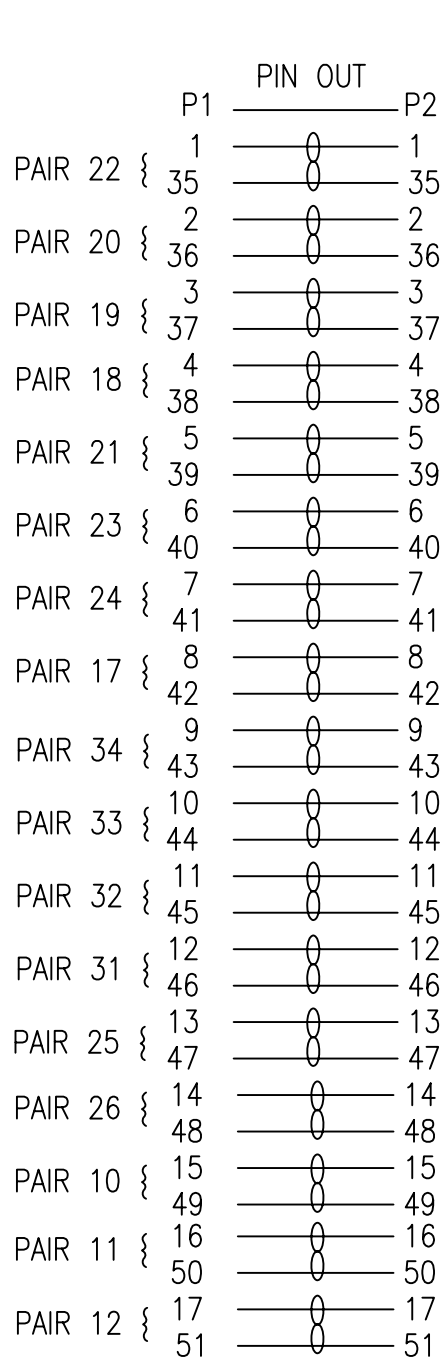
- 1. CABLE: 28AWG X 34PAIRS+AL.MYLAR+DRAIN+BRAID, UL20276, BEIGE (BG-02) PVC JACKET, OD:9.0mm.
- 2. CONNECTOR: P1 & P2: HALF PITCH D-SUB 68PIN MALE: IDC TYPE, 0.62MM WIRE HOLDER, GOLD FLASH CONTACTS, BLACK INSULATION, NICKEL PLATED SHELL.
- 3. THUMB SCREW MOLDED BEIGE (BG-02) 25P PVC.
- 4. SHIELDING: COPPER-FOIL TAPE COVER PREMOLD AND SOLDER TO CONNECTOR SHELL & CABLE BRAID.
- 5. ALL HOOD: MOLDED BEIGE (BG-02) PVC.
- 6. TESTING: 100% ELECTRICAL TESTING.
- 7. MOLD NO.: COVER-HPDB68; SCR-HPDB68-MSM-01.
HPDB68-MSM-01; HPDB68-MSM-N01.

CHART 1

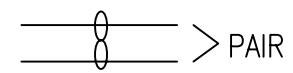
P/N	L	T
D08-SD68-SD68-03-S	914	+25/-0
D08-SD68-SD68-06-S	1829	+50/-0



TOLERANCE			Tri-Net Technology, Inc.			
INCHES	M/M		http://www.trinetusa.com			
.X	.015	.30	SCALE	NONE	REV	A
.XX	.010	.10	UNIT	MM		
.XXX	.005	.05	SHEET	1/2	DWG NO.	
DRAWN BY			DATE	06/04/05		
CHECK BY			TITLE HPDB68 TO HPDB68			
APPD BY			PART NO. D08-SD68-SD68-XX-S			



CABLE CONSTRUCTION DRAWING



TOLERANCE			Tri-Net Technology, Inc.			
INCHES	M/M		http://www.trinetusa.com			
.X	.015	.30	SCALE	NONE	REV	A
.XX	.010	.10	UNIT	MM		
.XXX	.005	.05	SHEET	2/2	DWG NO.	
DRAWN BY			DATE	06/04/05		
CHECK BY			TITLE	HPDB68 TO HPDB68		
APPD BY			PART NO.	D08-SD68-SD68-XX-S		

