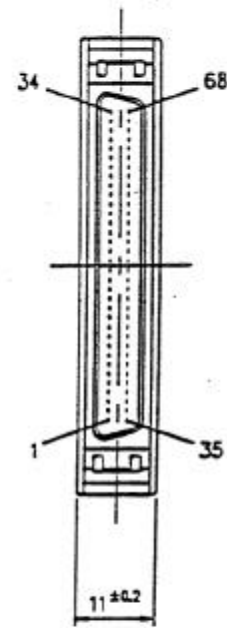
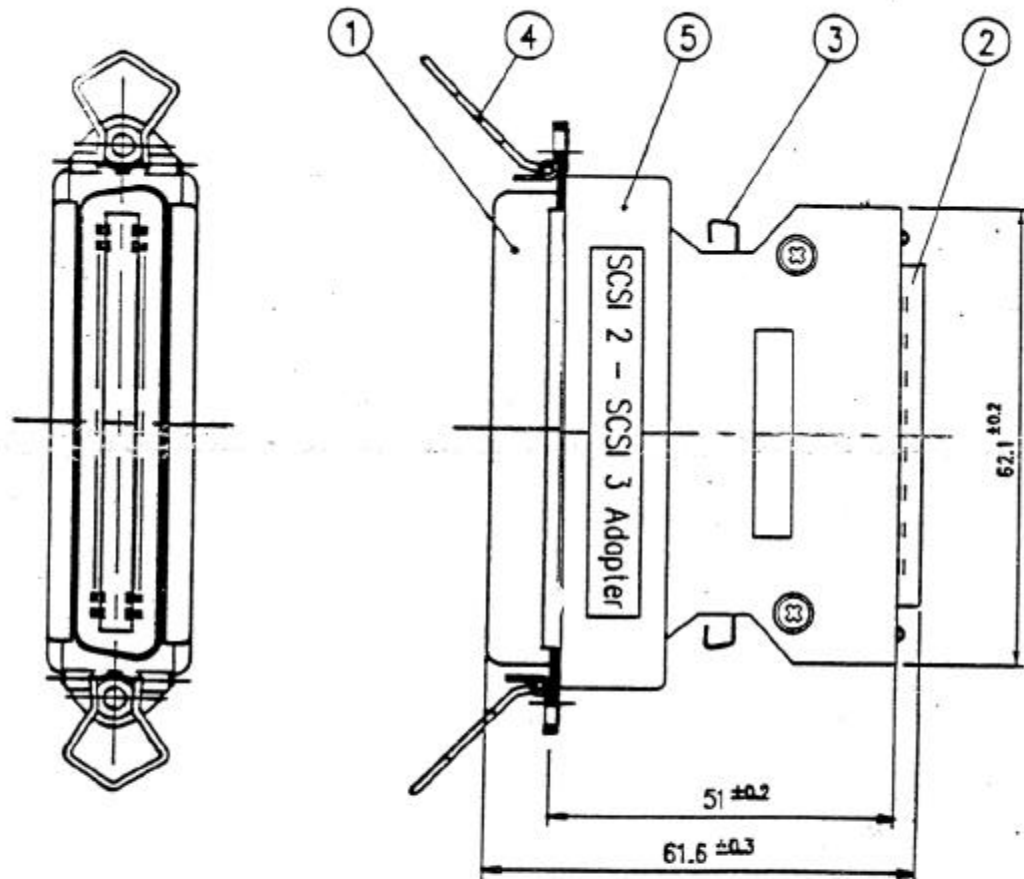



MD-68P RC-50S MD-68P RC-50S



6	1	40	26
7	2	41	27
8	3	42	28
9	4	43	29
10	5	44	30
11	6	45	31
12	7	46	32
13	8	47	33
14	9	48	34
15	10	49	35
16	11	50	36
20	15	52	38
21	16	54	40
22	17	55	41
23	18	56	42
24	19	57	43
25	20	58	44
26	21	59	45
27	22	60	46
28	23	61	47
29	24	62	48
30	25	63	49
		64	50

- NOTES:
1. CEN. 50 FEMALE
 2. HALF PITCH CENTRONIC 68 MALE
 3. CLIP
 4. SPRING LATCH
 5. METALIZED HOOD (Cr)

日期: DATE	88.03.01	繪圖 DRAWN	CHOUZ	PART NO : D09-SD68M-CN50F	 Tri-Net Technology, Inc./U.S.A.	圖號 DRAWING NO
版次: REV.	1	比例 SCALE	1:1			AD-0049
單位: UNIT	mm	核准 APPROVAL				