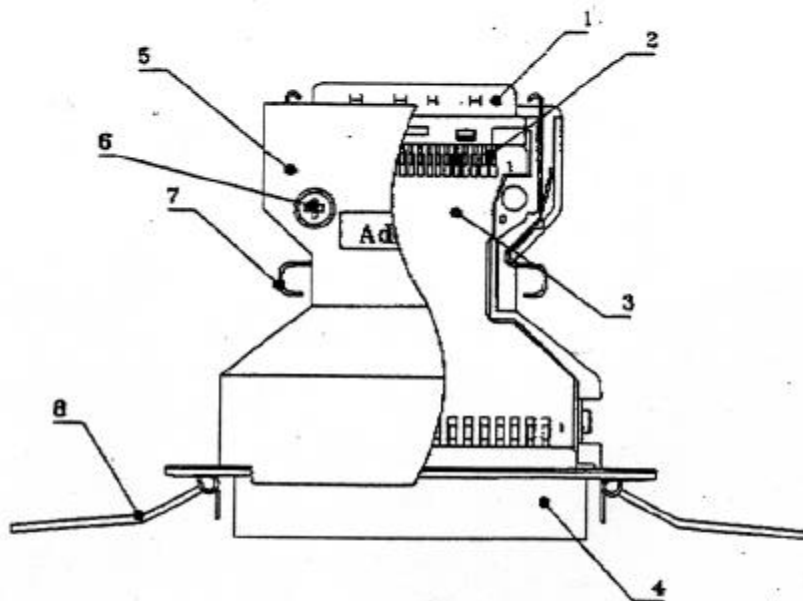
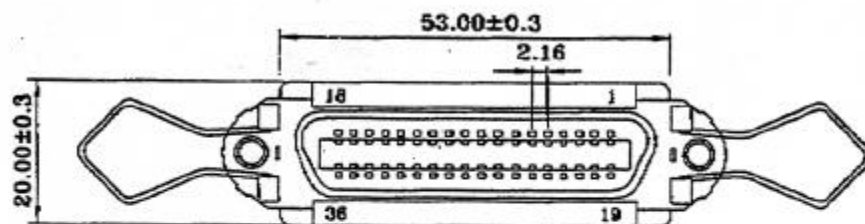
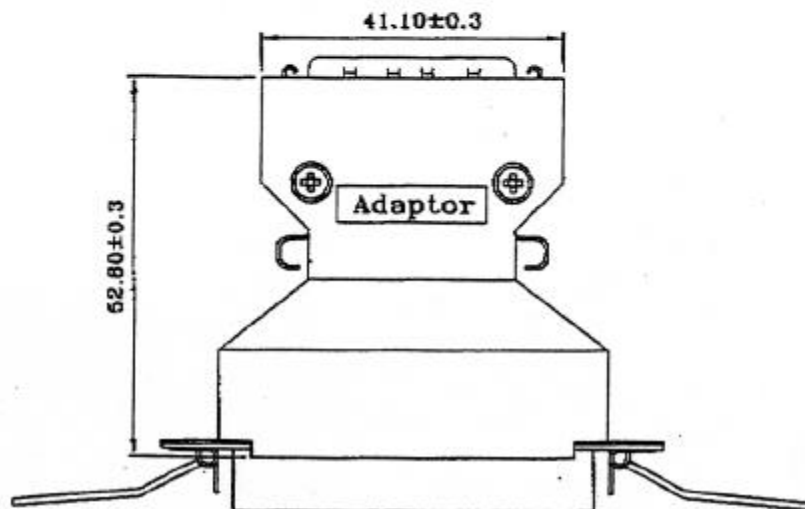
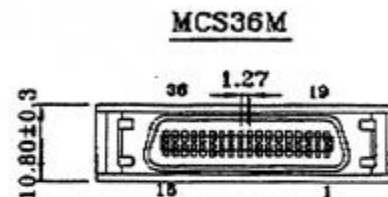


MCS 36PIN (M)	RCS 36PIN (F)
1	1
2	2
3	3
4	4
...	...
35	35
36	36
SHELL	SHELL



- 10% OPEN / SHORT / INSULATING TEST
- INSULATION TEST: 5MΩ



RCS36F

COMPONENTS	DESCRIPTION	Q'TY
1	MCS36M Half Pitch Centronic 36P Male Connector Shell: Steel Nickel Plated Insulator: Black P.B.T Contact: Phosphor Bronze 5μ" Gold Plating	1
2	Termination End Soldered	2
3	P.C.B FR/4	1
4	RCS36F Centronic 36P Female Connector Shell: Steel Nickel Plated Insulator: Black P.B.T Contact: Brass G/F Gold Plating	1
5	Hood ABS Metalized Nickel Plated	1
6	Flat Screw SR2.6x8.5A Metal Nickel Plated	2
7	USL/SI Spring Latch Phosphor Bronze Nickel Plated	2



Tri-Net Technology, Inc./U.S.A.

PART NO: D09-SC36M-CN36F