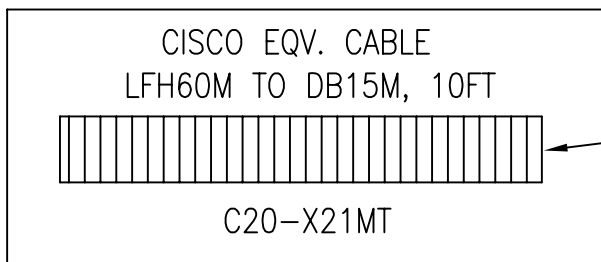
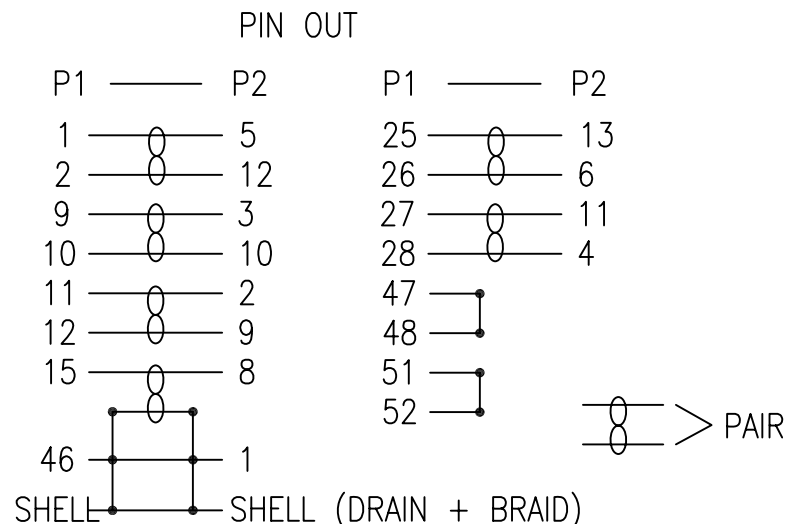


NOTES:

- 1. CABLE: 28AWG X 13PAIRS, AL-FOIL AND BRAID SHIELDED WITH A DRAIN WIRE, UL20276, DARK GREY(CTG-841) PVC JACKET.
- 2. CONNECTOR: P1 : L.F.H 60 MALE: SOLDER TYPE, GOLD FLASH CONTACTS, BLACK PBT INSULATION.  
P2: D-SUB 15 MALE: SOLDER TYPE, GOLD FLASH CONTACTS, BLACK PBT INSULATION.
- 3. THUMB SCREW TO BE MOLDED DARK GREY(CTG-841) PVC.
- 4. ALL HOOD: MOLDED DARK GREY(CTG-841) PVC.
- 5. SHIELDING: COPPER-FOIL TAPE COVER PREMOLD AND 360° SOLDER TO CONNECTOR SHELL & CABLE BRAID.
- 6. TESTING: 100% ELECTRICAL TEST AT 1M OHM INSULATION RESISTANCE.
- 7. PACKING: EACH CABLE IN A TNT PRINTING ZIP-LOCK POLY-BAG.  
BAR CODE LABEL (WHITE BACKGROUND WITH BLACK LETTERS)  
TO BE STAMPED ON TNT PRINTING ZIP-LOCK POLY-BAG.



BAR CODE: 39



TOLERANCE			<b>TNT</b> Tri-Net Technology, Inc. <a href="http://www.trinetusa.com">http://www.trinetusa.com</a>			
INCHES		M/M				
.X	.015	.30	UNIT	MM	DWG NO.	
.XX	.010	.10	SHEET	1/2		
.XXX	.005	.05	DATE	09/12/06	LFT 60 MALE TO DB15 MALE	
DRAWN BY			TITLE			
CHECK BY						
APPD BY			C20-X21MT			