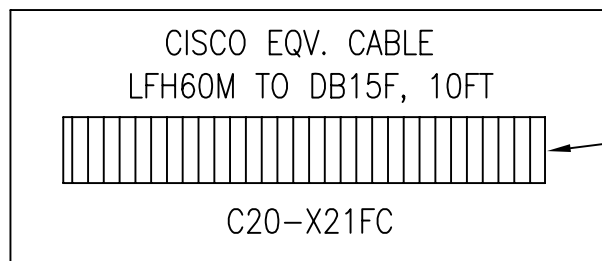
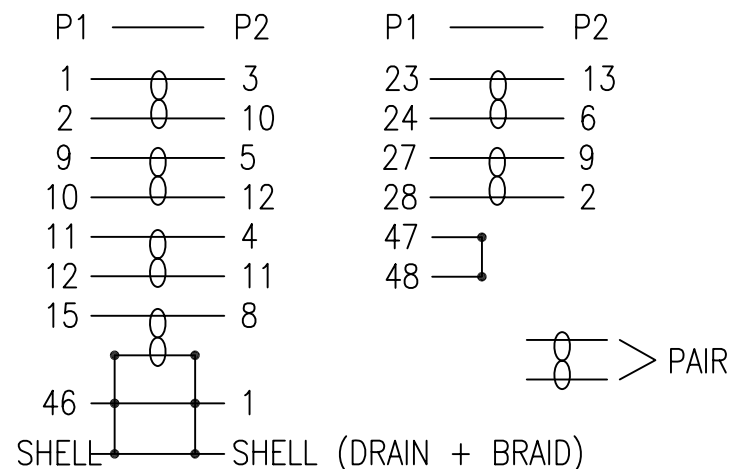


NOTES:

- 1. CABLE: 28AWG X 13PAIRS, AL-FOIL AND BRAID SHIELDED WITH A DRAIN WIRE, UL20276, DARK GREY(CTG-841) PVC JACKET.
- 2. CONNECTOR: P1: L.F.H 60 MALE: SOLDER TYPE, GOLD FLASH CONTACTS, BLACK PBT INSULATION.
P2: D-SUB 15 FEMALE: SOLDER TYPE, GOLD FLASH CONTACTS, BLACK PBT INSULATION.
- 3. THUMB SCREW TO BE MOLDED DARK GREY(CTG-841) PVC.
- 4. ALL HOOD: MOLDED DARK GREY(CTG-841) PVC.
- 5. SHIELDING: COPPER-FOIL TAPE COVER PREMOLD AND 360° SOLDER TO CONNECTOR SHELL & CABLE BRAID.
- 6. TESTING: 100% ELECTRICAL TEST AT 1M OHM INSULATION RESISTANCE.
- 7. PACKING: EACH CABLE IN A TNT PRINTING ZIP-LOCK POLY-BAG.
BAR CODE LABEL (WHITE BACKGROUND WITH BLACK LETTERS) TO BE STAMPED ON TNT PRINTING ZIP-LOCK POLY-BAG.

PIN OUT



TOLERANCE INCHES			M/M			TNT Tri-Net Technology, Inc. http://www.trinetusa.com			
.X	.015	.30	SCALE	NONE		REV	D		
.XX	.010	.10	UNIT	MM					
.XXX	.005	.05	SHEET	1/1	DWG NO.				
DRAWN BY			DATE	09/12/06	TITLE				
CHECK BY			LFT 60 MALE TO DB15 FEMALE						
APPD BY			PART NO.			C20-X21FC			