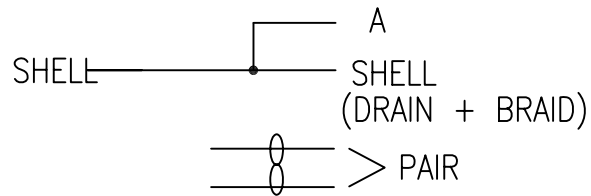
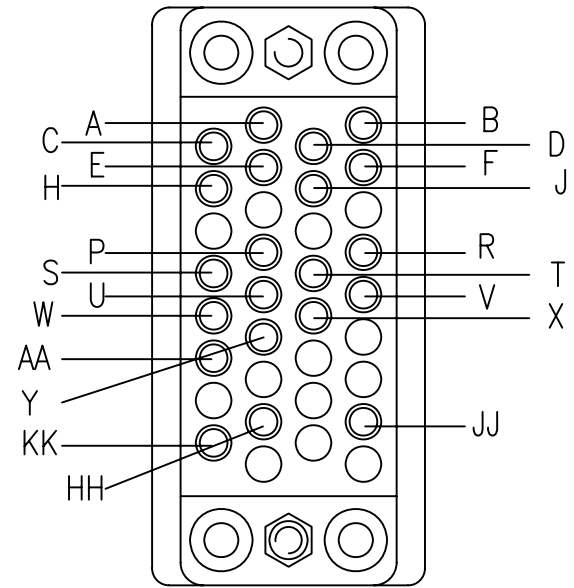
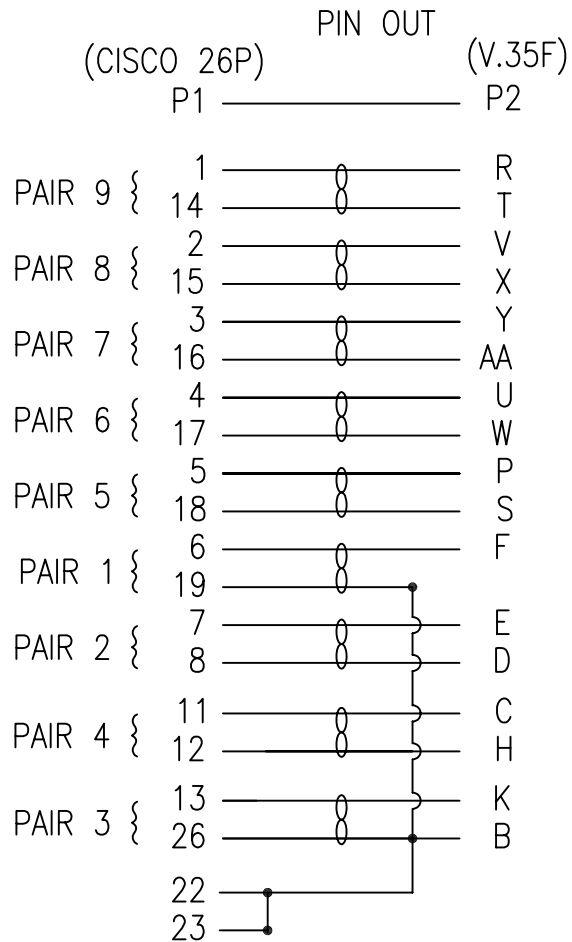


NOTE:

- ① CABLE: 28AWG X 10.5PAIRS, AL-FOIL AND BRAID SHIELDED WITH A DRAIN WIRE, UL2919, BLUE(CTG-615, PANTONE/#300C) PVC JACKET.
- 2. CONNECTOR: P1: CISCO 26PIN MALE: 1.0mm PITCH, GOLD FLASH CONTACTS, WHITE PBT INSULATION.  
P2: V.35 FEMALE: CRIMP TYPE, GOLD FLASH CONTACTS, BLACK PBT INSULATION, WITH SHELL.
- ③ METAL SCREW.
- ④ METAL SCREW LOCK.
- 5. SHIELDING: COPPER FOIL TAPE COVER PREMOLD AND POINT SOLDER TO CONNECTOR SHELL, 360° SOLDER TO CABLE BRAID.
- 6. ALL HOOD: MOLDED BLUE(CTG-615, PANTONE/#300C) PVC.
- 7. TESTING:
  - 1. 100% OPEN/SHORT TEST.
  - 2. CONTACT RESISTANCE: <math>< 2\Omega</math>.
  - 3. INSULATION RESISTANCE: DC300V AT 10ns  $R > 10M\Omega$ .
- 8. PACKING: EACH CABLE IN A PE POLY-BAG. LABEL (WHITE BACKGROUND WITH BLACK LETTERS) TO BE STAMPED ON PE POLY-BAG.



TOLERANCE			Tri-Net Technology, Inc.			
INCHES	M/M		http://www.trinetusa.com			
.X	.015	.30	SCALE	NONE	REV	D
.XX	.010	.10	UNIT	MM		
.XXX	.005	.05	SHEET	1/2	DWG NO.	
DRAWN BY			DATE	09/12/06		
CHECK BY			TITLE NP26M / V.35F CABLE			
APPD BY			PART NO. C20-SS-V35FC			



TOLERANCE			<b>TNT</b> Tri-Net Technology, Inc. <a href="http://www.trinetusa.com">http://www.trinetusa.com</a>				
INCHES	M/M						
.X	.015	.30	SCALE	NONE	⊕	REV	D
.XX	.010	.10	UNIT	MM			
.XXX	.005	.05	SHEET	2/2	DWG NO.		
DRAWN BY			DATE	09/12/06			
CHECK BY			TITLE NP26M / V.35F CABLE				
APPD BY			PART NO. C20-SS-V35FC				