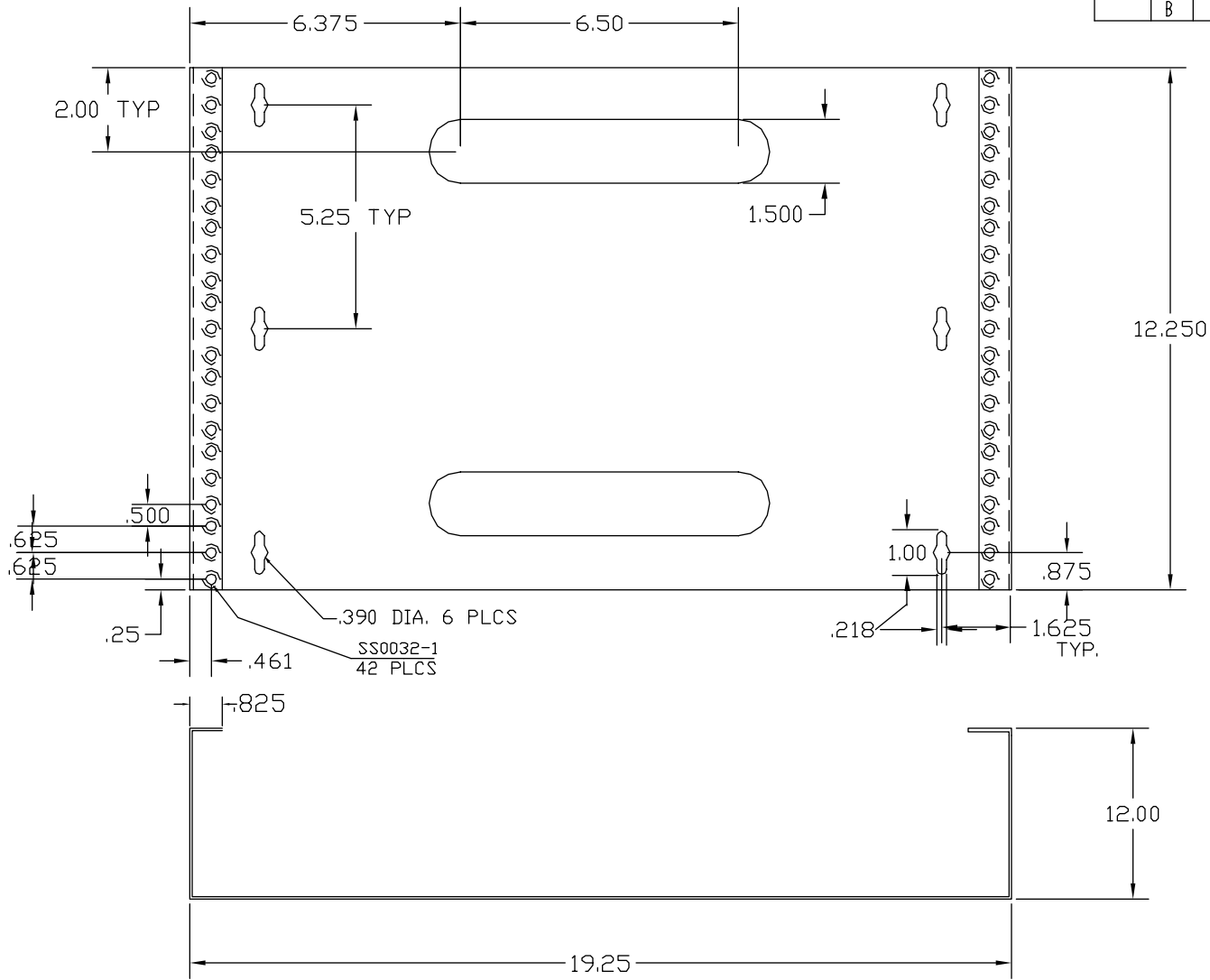


REVISIONS—ORIGINAL ISSUE SYMBOL A				A
ZONE	LTR	DESCRIPTION	DATE	APPROVED
	B	FIRST RELEASE		SDB



				X
				X
				X
X	X	X	X	DASH #

The information contained herein is proprietary and is not to be released or reproduced without written permission of SDB & ASSOCIATES.

TOLERANCES			
Unless Otherwise Specified			
Basic Dim	.XX	.XXX	Angles
0 Thru 6	± .02	± .005	± 1°
6 Thru 24	± .04	± .010	
over 24	± .06	± .015	

DWG APPROVAL	DATE
DWN	
CHK	
MGR	
ENG	
NEXT ASSY	USED ON
FIRST APPLICATION	

TRI-NET TECHNOLOGY			
TITLE			
12" DEEP HINGE BRKT			
SIZE	CODE	PART NUMBER	REV
D		021-007-12	C
SCALE		SHEET	OF

2. PAINT 20% GLOSS BLACK POWDER
1. REMOVE ALL BURRS AND SHARP EDGES

NOTES: UNLESS OTHERWISE SPECIFIED