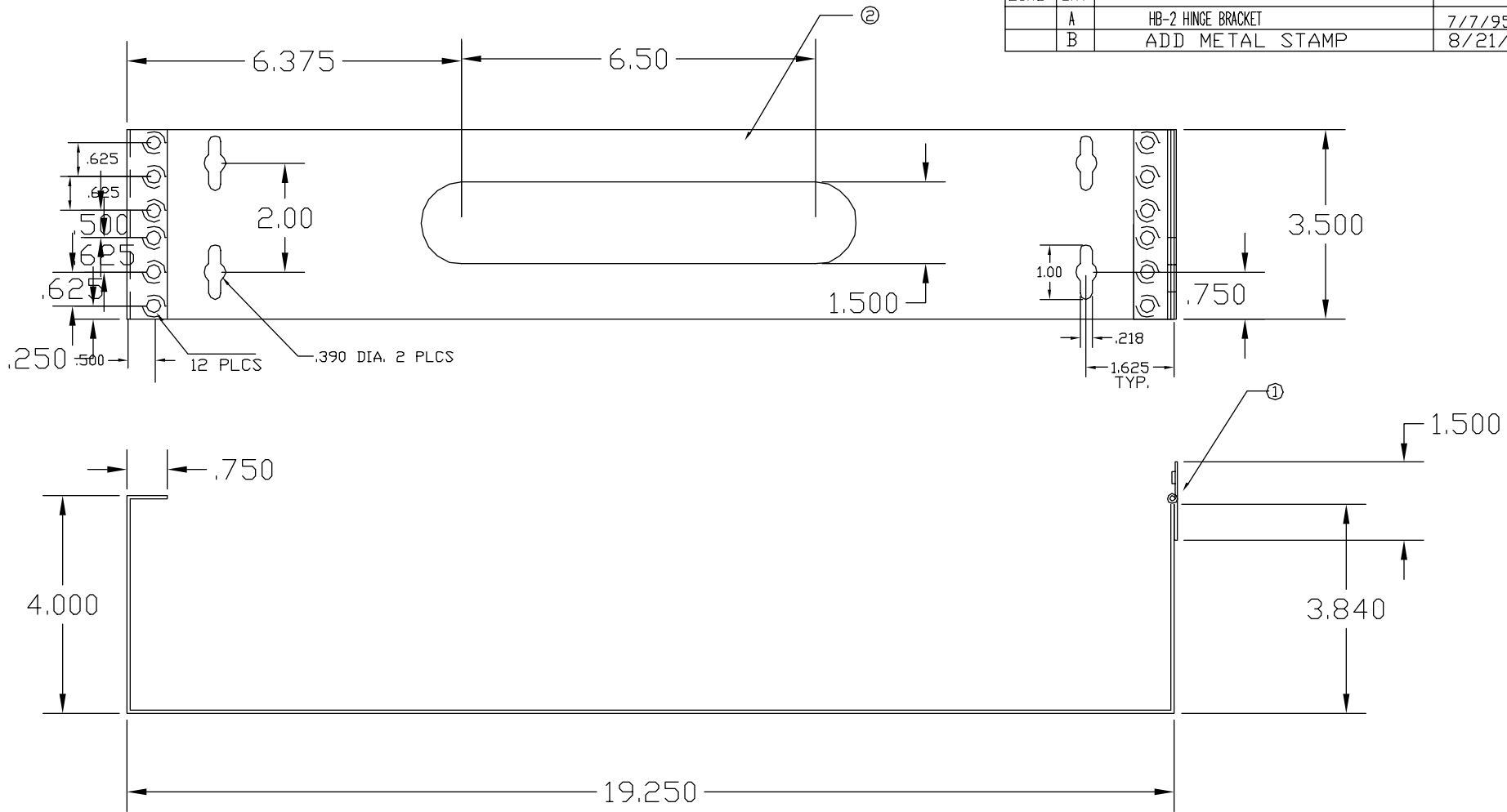


REVISIONS—ORIGINAL ISSUE SYMBOL A				A
ZONE	LTR	DESCRIPTION	DATE	APPROVED
	A	HB-2 HINGE BRACKET	7/7/95	SDB
	B	ADD METAL STAMP	8/21/95	SDB



		X
14 GA CRS	BRACKET	2
20 GA CRS 1.50 OPEN	HINGE	1
X		ITEM #

The information contained herein is proprietary and is not to be released or reproduced without written permission of SDB & ASSOCIATES.				DWG APPROVAL		DATE			
TOLERANCES				DWN					
Unless Otherwise Specified				CHK					
				MGR					
				ENG					
				NEXT ASSY		USED ON			
				FIRST APPLICATION					
MATERIAL		S.R.D #		SIZE		CODE	PART NUMBER		REV
14 GA CRS		PAINT		D			021-002		B
				SCALE 1/1				SHEET 1 OF 1	

2. PAINT MONARCH BLACK II RFB-608-S6
REMOVE ALL BURRS AND SHARP EDGES

NOTES: UNLESS OTHERWISE SPECIFIED

TRI-NET TECHNOLOGY			
TITLE			
HINGE BRACKET			
2 RACK SPACE			