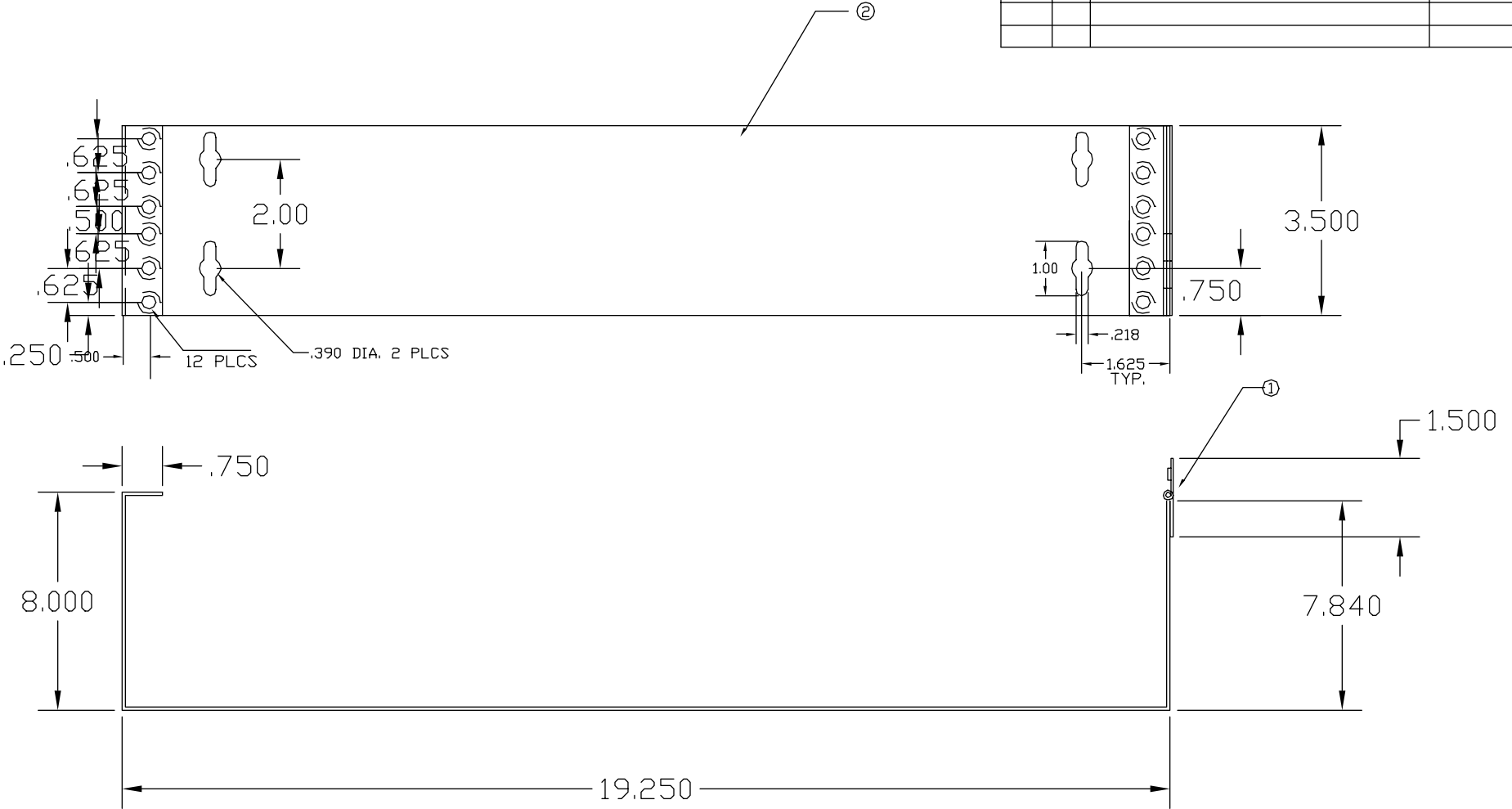


REVISIONS—ORIGINAL ISSUE SYMBOL A				
ZONE	LTR	DESCRIPTION	DATE	APPROVED



		X
14 GA CRS	BRACKET	2
20 GA CRS 1.50 OPEN	HINGE	1
X	X	ITEM #

The information contained herein is proprietary and is not to be released or reproduced without written permission of SDB & ASSOCIATES.				DWG APPROVAL		DATE	TRI-NET TECHNOLOGY TITLE HINGE BRACKET 2 RACK SPACE 8' DEEP SIZE D CODE PART NUMBER 021-002-8 REV SCALE 1/1 SHEET 1 OF 1				
				DWN							
TOLERANCES Unless Otherwise Specified				CHK							
				MGR							
Basic Dim				.XX	.XXX	Angles				ENG	
0 Thru 6				± .02	± .005	± 1°				NEXT ASSY	
6 Thru 24				± .04	± .010						
over 24				± .06	± .015						
MATERIAL				S.R.D #		FIRST APPLICATION					
14 GA CRS				PAINT							

2. PAINT MONARCH BLACK II RFB-608-S6
 REMOVE ALL BURRS AND SHARP EDGES
 NOTES: UNLESS OTHERWISE SPECIFIED