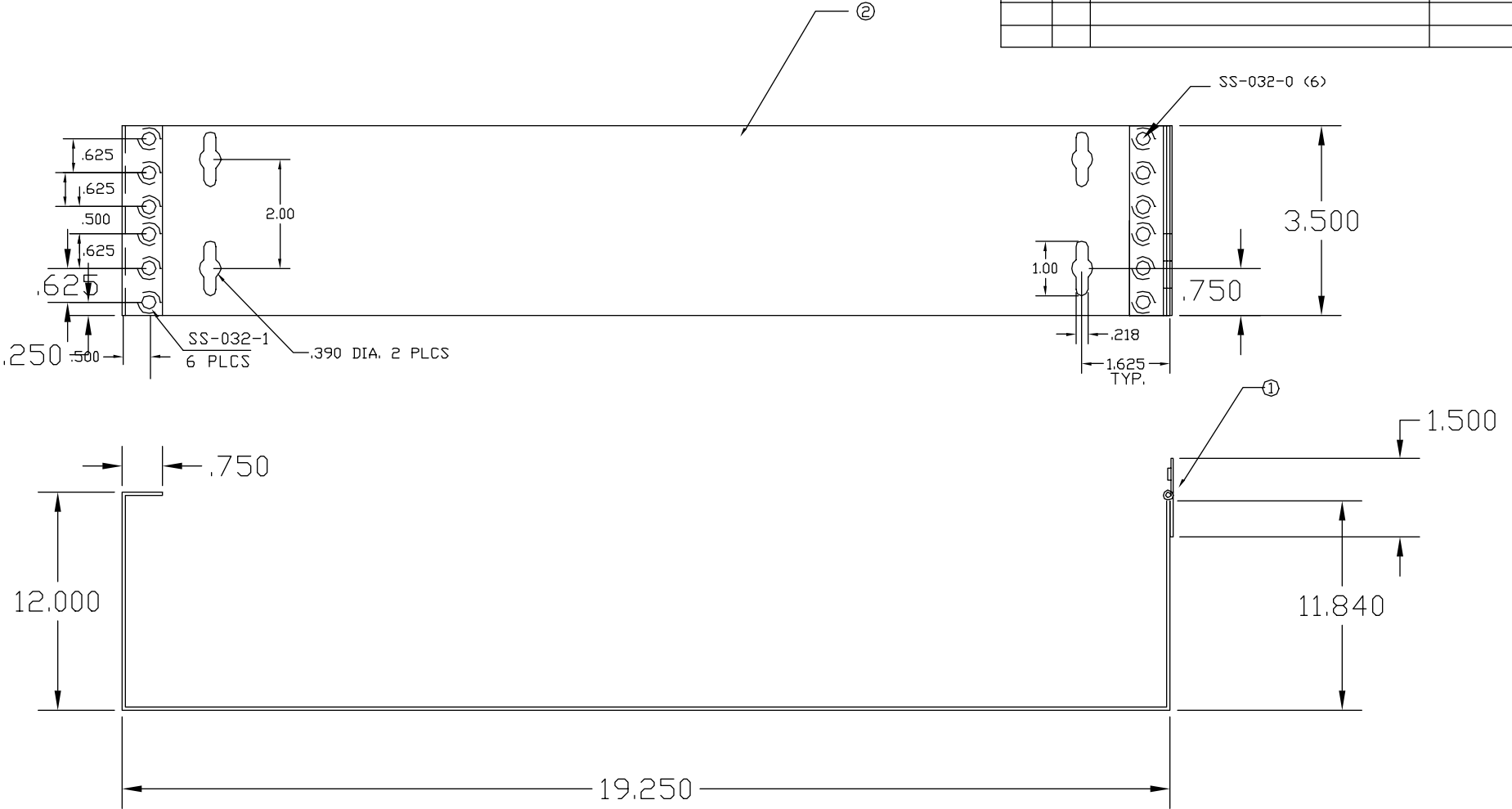


REVISIONS—ORIGINAL ISSUE SYMBOL A				
ZONE	LTR	DESCRIPTION	DATE	APPROVED



		X
14 GA CRS	BRACKET	2
20 GA CRS 1.50 OPEN	HINGE	1
X	X	ITEM #

The information contained herein is proprietary and is not to be released or reproduced without written permission of SDB & ASSOCIATES.				DWG APPROVAL		DATE	TRI-NET TECHNOLOGY			
TOLERANCES				DWN			TITLE			
				CHK						
Unless Otherwise Specified				MGR			HINGE BRACKET			
Basic Dim				.XX	.XXX	Angles				2 RACK SPACE 12" DEEP
0 Thru 6				± .02	± .005	± 1°	NEXT ASSY	USED ON		
6 Thru 24				± .04	± .010					
over 24				± .06	± .015					
MATERIAL		S.R.D #		FIRST APPLICATION			SIZE	CODE	PART NUMBER	REV
14 GA CRS		PAINT					D		021-002-12	
							SCALE 1/1			SHEET 1 OF 1

2. PAINT MONARCH BLACK II RFB-608-S6  
 REMOVE ALL BURRS AND SHARP EDGES  
 NOTES: UNLESS OTHERWISE SPECIFIED