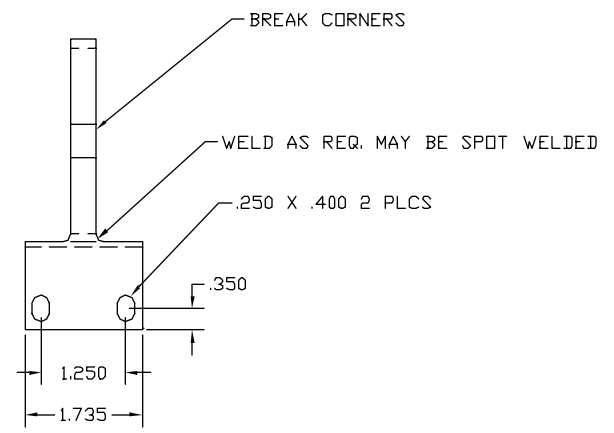
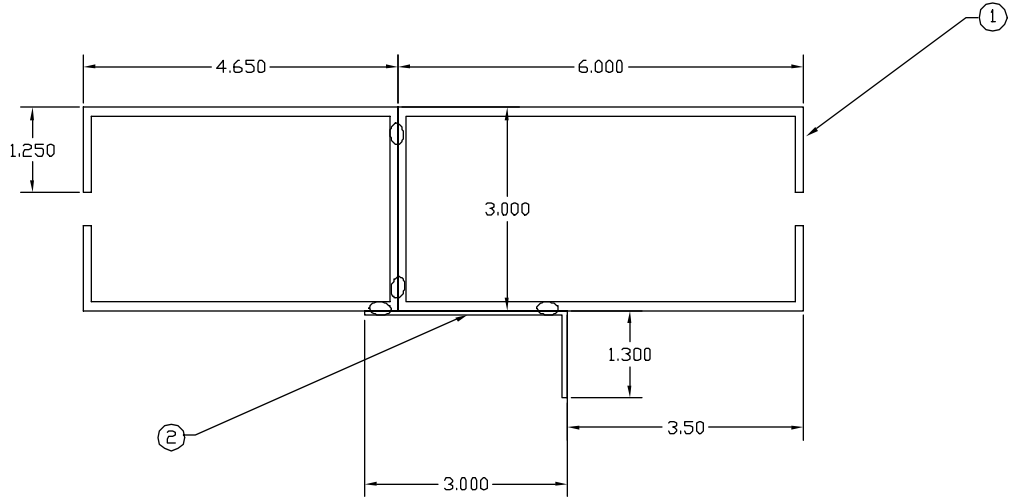


REVISIONS—ORIGINAL ISSUE SYMBOL A				
ZONE	LTR	DESCRIPTION	DATE	APPROVED
	B	FIRST RELEASE		SDB



1. PAINT PAC BLACK POWDER
2. HEAT SEAL IN 6 X 18 POLY BAG W/2 12-24 PPH SCREWS  
PACK 32 PARTS IN 12X 12 X 12 BOX

BREAK ALL BURRS AND SHARP EDGES

		X
	14 GA CRS	2
	.125 X .375 BAR STOCK (1010)	1
X	MATERIAL	DASH #

The information contained herein is proprietary and is not to be released or reproduced without written permission of SDB & ASSOCIATES.				DWG APPROVAL		DATE		<b>TRI-NET TECHNOLOGY</b> TITLE WIRE MINDER							
<b>TOLERANCES</b> Unless Otherwise Specified				DWN											
				CHK											
Basic Dim    .XX    .XXX    Angles 0 Thru 6    ± .030    ± .010 6 Thru 24    ± .030    ± .010    ± 1/2° over 24    ± .030    ± .015				MGR											
				ENG											
				NEXT ASSY		USED ON									
MATERIAL				S.R.D #				FIRST APPLICATION		SIZE <b>D</b>		CODE PART NUMBER 020-007		REV 1	
								SCALE 1/1		SHEET 1 OF 1					