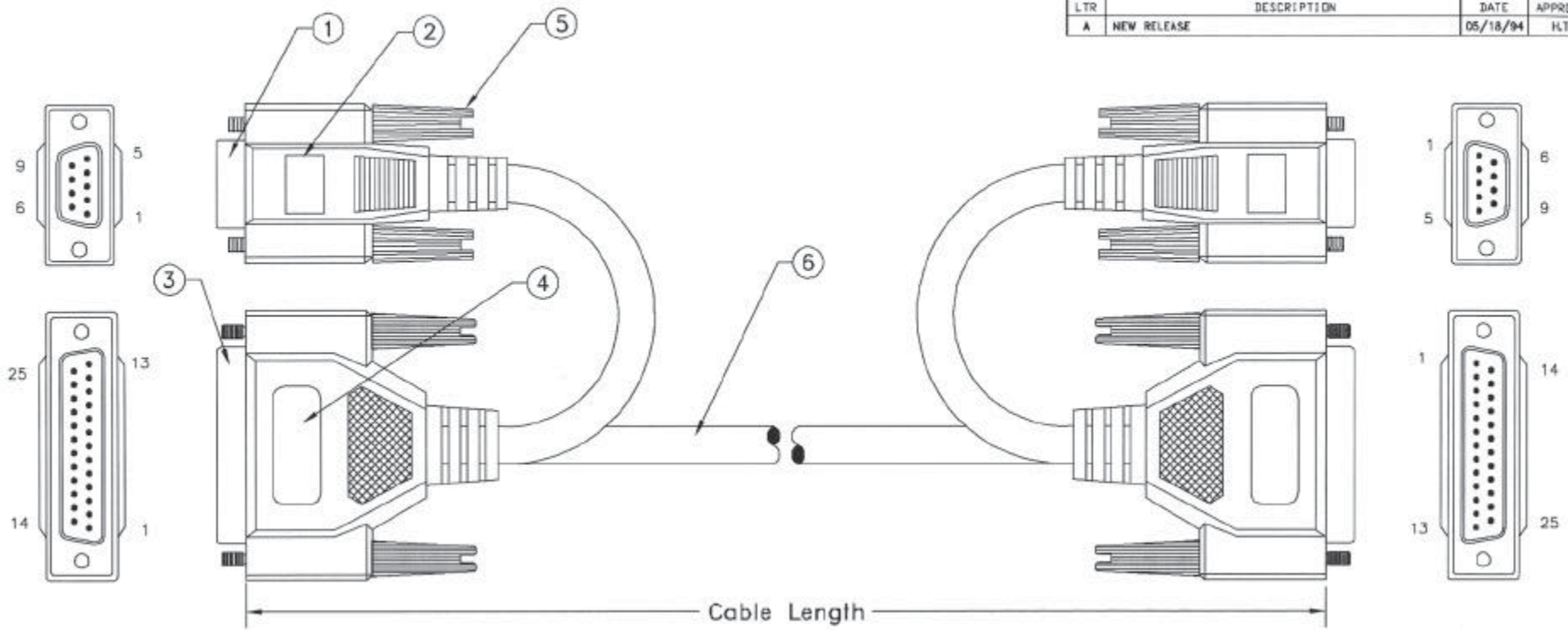


REVISION			
LTR	DESCRIPTION	DATE	APPROVED
A	NEW RELEASE	05/18/94	HT.




<i>Pin Assignment</i>				
DB 9 Female	DB25 Female		DB 9 Female	DB25 Female
3	2	_____	3	2
2	3	_____	2	3
7	4	_____	5	8
8	5	_____	4	7
6	6	_____	20	4
5	7	_____	7	5
4	20	_____	6	6
G	G	_____	G	G

ITEM NO.	MATERIAL / SPECIFICATION	QTY REQD	UNIT
6.	28 AWG., 7 Conductors + Drain Wire, Single Shielded with AL-FOIL, Beige Outer PVC jacket	XX	FT.
5.	4/40 Molded Thumbscrew, Color Beige	8	PCS.
4.	Beige Molded PVC Hood, Fully Shielded w/AL-FOIL	4	PCS.
3.	D-Sub 25 Pin Female W/Gold Plating Contacts	4	PCS.
2.	Beige Molded PVC Hood, Fully Shielded w/AL-FOIL	4	PCS.
1.	D-Sub 9 Pin Female W/Gold Plating Contacts	4	PCS.
CABLE ASSEMBLY PARTS LIST			

UNLESS OTHERWISE SPECIFIED:
 1. DIMENSION ARE IN INCHES
 2. TOLERANCES:
 - DECIMALES X.XX ±0.25
 3. DO NOT SCALE DRAWING
 4. REMOVE ALL BURRS AND BREAK SHARP EDGES.

PROPRIETARY DOCUMENT
 THIS DRAWING AND/OR INFORMATION OR SUBJECT MATTER CONTAINED HEREIN, SHALL NOT BE USED, COPIED OR DISSEMINATED IN ANY MANNER, OR FOR ANY PURPOSE, OTHER THAN AS EXPRESSLY STATED BY CDTOP Enterprises Corp.

CUSTOMER	
R.F.Q. NO.	
DRAWN	DATE
Howie Tseng	05/18/94
CHECKED	
CUSTOMER APPROVAL	



Tri-Net Technology / U.S.A.

TITLE
 4 Heads LapLink Cable Assembly
 (DB9F-DB25F/DB9F-DB25F, 7C, Molded)

SIZE	DWG NO.	PART NO.	REV.
	10D1-098	C16-LAP-S-XX	A
SCALE: NONE	RELEASE DATE: 05/18/94	SHEET: 1 OF 1	

