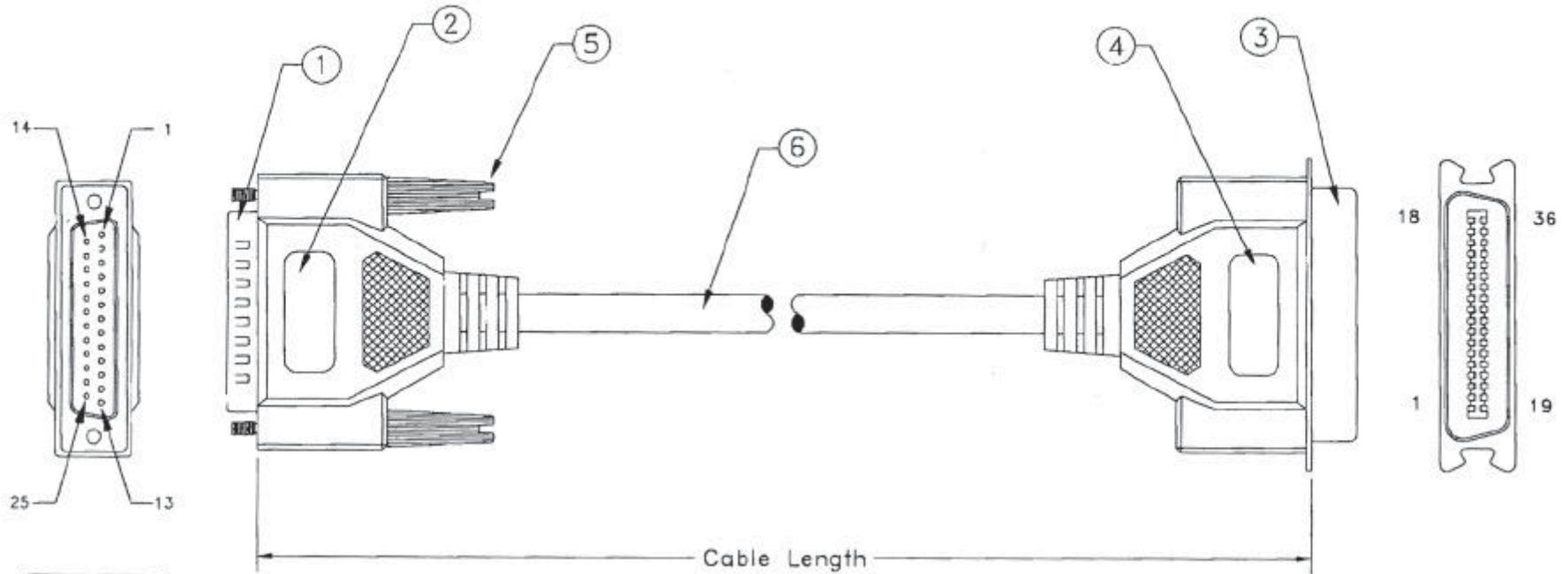


REVISION			
CTR	DESCRIPTION	DATE	APPROVED
A	NEW RELEASE	05/12/95	H.G.



Pin Assignment	
DB25 Male	CN36 Male
1	1
2	2
3	3
}	}
14	14
15	32
16	31
17	36
18	19
}	}
25	30
	33
G	G


PART NO.	CABLE LENGTH
10D3-02103	3 ft.
10D3-02106	6 ft.
10D3-02110	10 ft.
10D3-02115	15 ft.
10D3-02125	25 ft.
10D3-02150	50 ft.



ITEM NO.	MATERIAL / SPECIFICATION	QTY REQD	UNIT
6.	28 AWG., 18 Conductors + Drain Wire, Single Shielded with AL-FOIL, Beige Outer PVC jacket	XX	FT.
5.	4/40 Molded Thumbscrew, Color Beige	2	PCS.
4.	Beige Molded PVC Hood, Fully Shielded w/AL-FOIL	1	PCS.
3.	Centronics 36 Pin Male w/Gold Plating Contacts	1	PCS.
2.	Beige Molded PVC Hood, Fully Shielded w/AL-FOIL	1	PCS.
1.	D-Sub 25 Pin Male W/Gold Plating Contacts	1	PCS.

CABLE ASSEMBLY PARTS LIST

UNLESS OTHERWISE SPECIFIED: 1. DIMENSIONS ARE IN INCHES 2. TOLERANCES: DECIMALS X.XX ±0.25 3. DO NOT SCALE DRAWING 4. REMOVE ALL BURRS AND BREAK SHARP EDGES. PROPRIETARY DOCUMENT THIS DRAWING AND/OR INFORMATION OR SUBJECT MATTER CONTAINED HEREIN, SHALL NOT BE USED, COPIED OR DISSEMINATED IN ANY MANNER, OR FOR ANY PURPOSE, OTHER THAN AS EXPRESSLY STATED BY COMTEP Enterprises Corp.	CUSTOMER
	R.F.Q. NO.
	DRAWN DATE Howie Tseng 05/12/95
	CHECKED
CUSTOMER APPROVAL	

 Tri-Net Technology / U.S.A.			
TITLE Parallel Printer Cable Assembly (DB25M/CN36M, 18C, Molded)			
SIZE	DWG. NO. 10D3-021	PART NO. C01-25M-36M-18XX	REV. A
SCALE: NONE	RELEASE DATE: 05/12/95	SHEET: 1 OF 1	