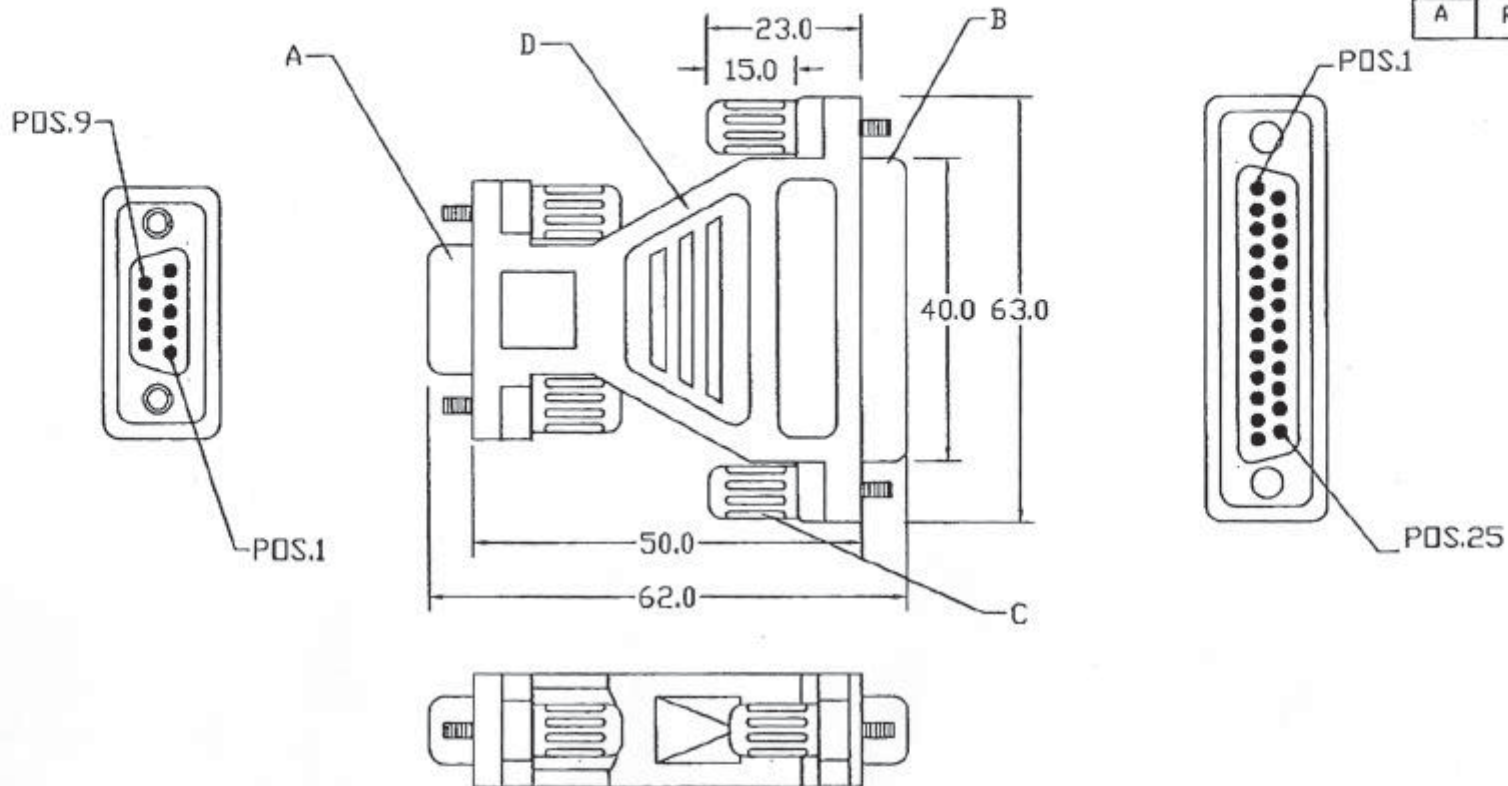
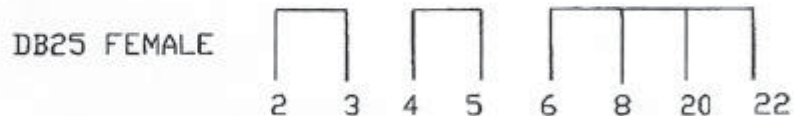
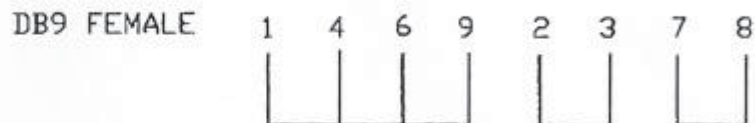


REV	ECD NO	APPD
A	REL	




PIN ASSIGNMENT



NOTE:

- A: DB9 FEMALE x 1
- B: DB25 FEMALE x 1
- C: #4-40 UNC THUMBSCREW x 4
- D: P.V.C. OVERMOLDED, COLOR: BEIGE

X±	XX±0.10	X*±	XX*±	TITLE: SERIAL LOOP BACK TESTER	
X*±0.2	XXX±	X*±	XXX*±	PART NUMBER A26-25F-09F-S	DRAWN BY: EMILY. C
 Tri-Net Technology / U.S.A.				APPD <i>[Signature]</i>	SCALE SHEET REV
				DATE 03/19/98	1/4

