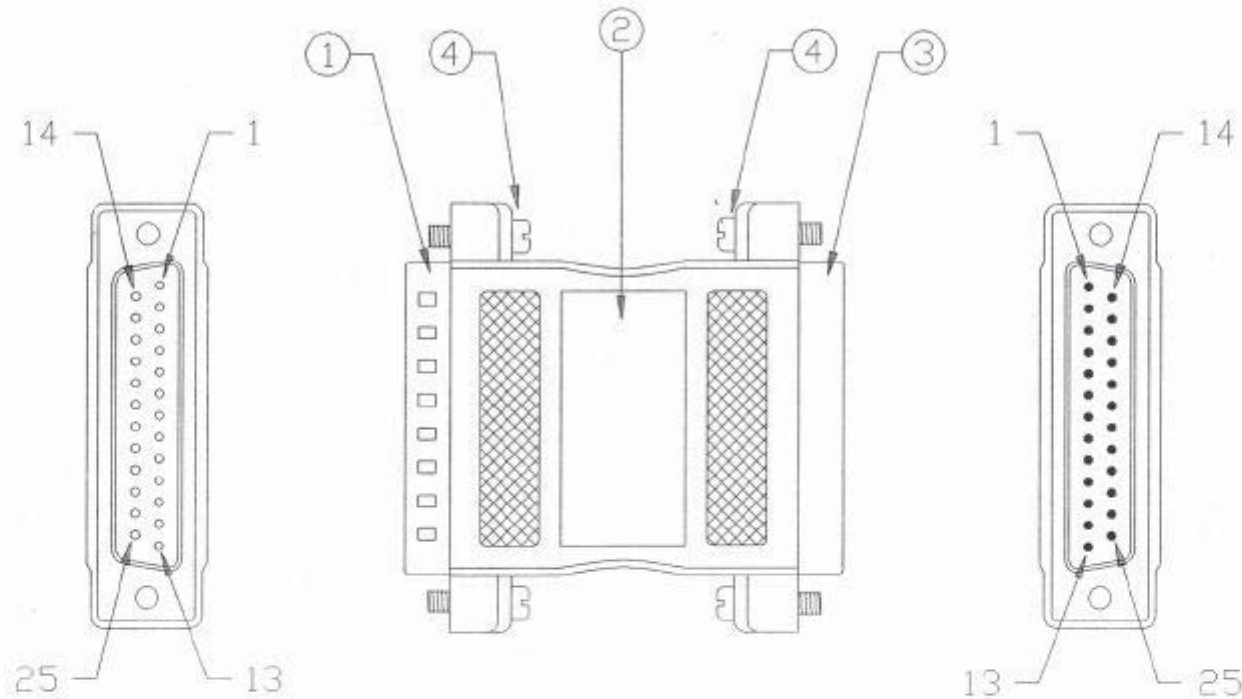


Null Modem Adaptor
DB25 Male / DB25 Female, 8C, Molded

CUSTOMER APPROVAL: _____ DATE: _____



Pin Assignment		
DB25 Male		DB25 Female
1	—	1
2	—	3
3	—	2
4	—	5
5	—	4
6	—	20
8	—	
20	—	6
	—	8
7	—	7
G	—	G

NO.	SPECIFICATION & DESCRIPTION	Q'TY	UNIT
1.	D-SUB 25 PIN Male W/Gold Flash Contacts	1	PCS.
2.	Beige Molded PVC Hood, Conductors 8C + Drain Wire	1	PCS.
3.	D-SUB 25 PIN Female W/Gold Flash Contacts	1	PCS.
4.	4/40 Metal Short Screw	4	PCS.



REVISED DETAILS				Part No.	Drawing No.	Sheet	
REV.	DESCRIPTION	DATE	APPROVED	A22-25-MF	30D3-382	1 of 1	
A	New Release	06/22/94	<i>[Signature]</i>				
A1	Move Warehouse, Chang Address & Tel. No.	05/12/95	<i>[Signature]</i>	Size A	Scale NONE	Date 05/12/1995	Rev. A1
				Draw By Howie Tseng	Approved By <i>[Signature]</i>		

