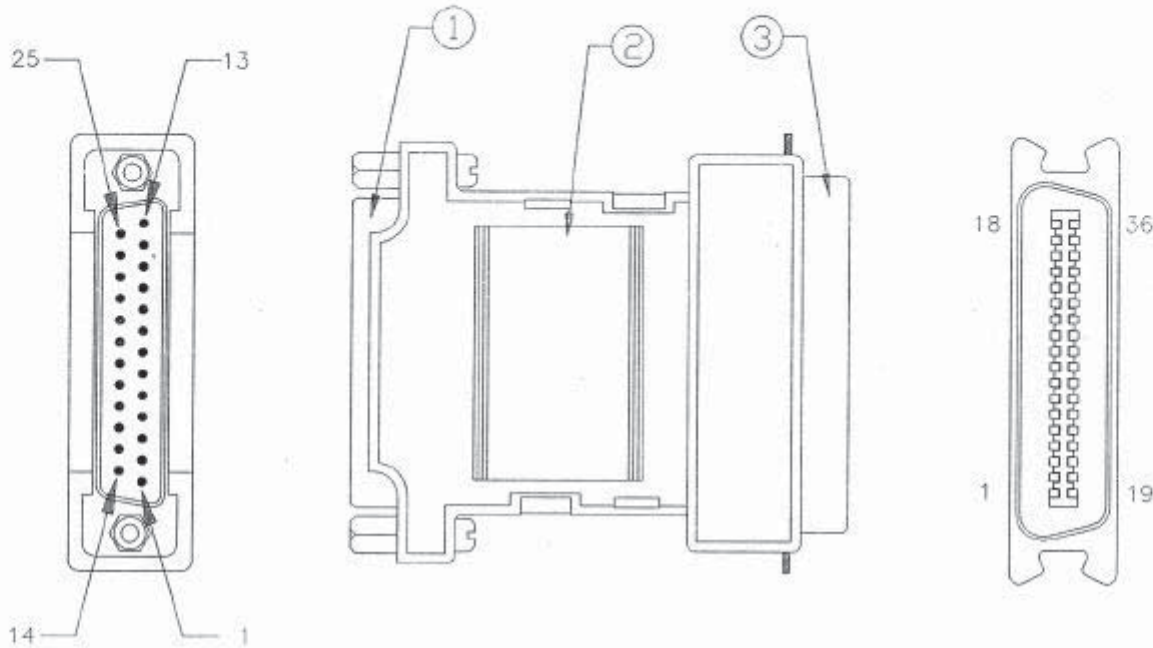


Printer Adaptor, Assembled
DB25 Female / CN36 Male

CUSTOMER APPROVAL: _____ DATE: _____



Pin Assignment		
DB25 Male		CN36 Male
1	—	1
2	—	2
3	—	3
{	—	{
14	—	14
15	—	32
16	—	31
17	—	36
18	—	33
19	—	19
20	—	21
21	—	23
22	—	25
23	—	27
24	—	29
25	—	30
G	—	G

NO.	SPECIFICATION & DESCRIPTION	Q'TY	UNIT
1.	D-SUB 25 PIN Female W/Gold Flash Contacts	1	PCS.
2.	Metalize Snap On Hood	1	PCS.
3.	Centronic 36 PIN Male W/Gold Flash Contacts	1	PCS.



REVISED DETAILS			Part No.	Drawing No.	Sheet	
REV.	DESCRIPTION	DATE	APPROVED	A13-25M-36M	31D3-393	1 of 1
A	New Release	12/18/95	<i>[Signature]</i>	Size A	Scale NONE	Date 12/17/1995
				Drawn By	Scale	Rev. A1
				Howie Tseng		Approved By <i>[Signature]</i>

TNT
Tri-Net Technology / U.S.A.