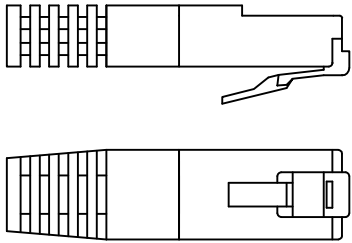


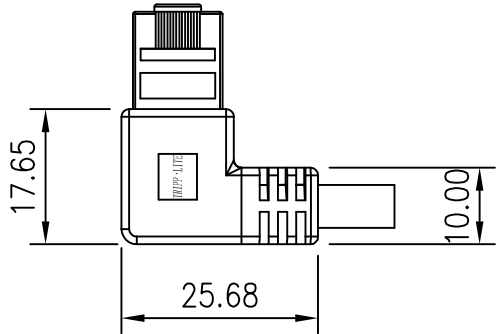
APPROVED BY \_\_\_\_\_  
 COMPANY: \_\_\_\_\_  
 PURCHASING/ENGINEER: \_\_\_\_\_  
 DATE: \_\_\_\_\_

| P/N                | L(FT) | L(MM)  | T          |
|--------------------|-------|--------|------------|
| CAT5E-UTP-RIGHT-1  | 1FT   | 305MM  | +15/-15MM  |
| CAT5E-UTP-RIGHT-3  | 3FT   | 915MM  | +25/-25MM  |
| CAT5E-UTP-RIGHT-5  | 5FT   | 1524MM | +25/-25MM  |
| CAT5E-UTP-RIGHT-7  | 7FT   | 2134MM | +50/-50MM  |
| CAT5E-UTP-RIGHT-10 | 10FT  | 3048MM | +50/-50MM  |
| CAT5E-UTP-RIGHT-15 | 15FT  | 4572MM | +100/-50MM |
| CAT5E-UTP-RIGHT-25 | 25FT  | 7620MM | +150/-50MM |



WIRE CONNECTION

| WIRE COLOR   | P1 | PAIRS | P2 |
|--------------|----|-------|----|
| WHITE/ORANGE | 1  | ———   | 1  |
| ORANGE       | 2  | ———   | 2  |
| WHITE/GREEN  | 3  | ———   | 3  |
| BLUE         | 4  | ———   | 4  |
| WHITE/BLUE   | 5  | ———   | 5  |
| GREEN        | 6  | ———   | 6  |
| WHITE/BROWN  | 7  | ———   | 7  |
| BROWN        | 8  | ———   | 8  |



REMARK:

- CABLE:UTP CAT.5E CABLE.4P\*24AWG(7/0.16)(STRANDED BARE COPPER.INSULATION:HD-PE.OD:0.81±0.05mm)+ OUTER JACKET:BLUE PVC.OD:5.0±0.15mm.(TRIPP LITE MARKING) TNT P/N:(06F-R4P-T26-BL-TPL)
- CONN.: P1,P2:8P8C PLUG, LONG BODY, DUBLE LAY. GOLD PLATED 3U", TWO PARTS. P/N:060-R88-T3-26AWG
- ALL HOOD MOLDED BLUE 60P PVC.
- CABLE ASS'Y MUST PASS CONTINUITY TEST.
- MOLD NO: TNT-88-18, TNT-88-37.



| A                | INITIAL RELEASE       |       | 07/15/11                                                            |          |           |
|------------------|-----------------------|-------|---------------------------------------------------------------------|----------|-----------|
| REV              | DESCRIPTION OF CHANGE |       | DATE                                                                |          |           |
| TOLERANCE INCHES |                       | M/M   | <br><b>Tri-Net Technology, Inc.</b><br>Total Network Telesis U.S.A. |          |           |
| .X               | .015                  | .30   |                                                                     |          |           |
| .XX              | .010                  | .10   |                                                                     |          |           |
| .XXX             | .005                  | .05   | SCALE                                                               | NONE     | <br>REV A |
| DRAWN BY         |                       | Tiger | UNIT                                                                | MM       |           |
| CHECK BY         |                       |       | SHEET                                                               | 1/1      | DWG NO.   |
| APPD BY          |                       |       | DATE                                                                | 06/29/11 |           |
| TITLE            |                       |       | 8P8C PLUG(90°,RIGHT) TO 8P8C PLUG(180°)                             |          |           |
| PART NO.         |                       |       | 05BE-LENGTH-RS-A-COLOR                                              |          |           |