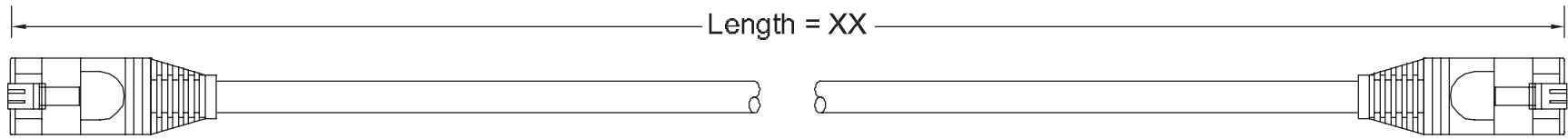


ZONE		REVISIONS		
REV	DESCRIPTION	DATE	APPROVED	



## CABLE - SPECIFICATIONS

**MEDIA TWIST(R) PATCH - BELDEN 1875GB**

**I. DESCRIPTION NON-PLENUM PATCH CABLE:**  
 4 PAIR UTP (UNSHIELDED TWISTED PAIR) PATCH CABLE, STRANDED TINNED COPPER, POLYOLEFIN INSULATED ADJOINED SINGLES, FLEXIBLE PVC JACKET. T568B RJ-45 COLOR ROTATION. U.S. PATENTS 5,606,151 AND 5,734,126 AND 5,763,823 AND PATENT PENDING.

**II. APPLICATIONS:**  
 SUPPORTS ALL CURRENT APPLICATIONS INTENDED FOR CAT 5E HORIZONTAL CABLE. HIGH FLEXIBILITY, HIGH FLEX LIFE PATCH CORDAGE, RJ-45 COMPATIBLE FOR T568B CONFIGURATION. PATENTED DESIGN MINIMIZES CHANGES IN ELECTRICAL CHARACTERISTICS DUE TO BENDING AND KINKING ASSOCIATED WITH PATCH CABLES. PATCH CABLE IMPEDANCE IS MATCHED WITH MEDIA TWIST HORIZONTAL CABLES TO REDUCE SIGNAL REFLECTIONS CAUSED BY IMPEDANCE MISMATCHES AND DECREASE SYSTEM RETURN LOSS. RESISTANT TO ATTENUATION INCREASES DUE TO HIGH HUMIDITY ENVIRONMENTS.

**III. PHYSICAL CHARACTERISTICS:**  
 TEMPERATURE RANGE: -20 TO 75 C  
 INSULATION MATERIAL: POLYOLEFIN  
 JACKET MATERIAL: PVC  
 MAX. PULLING TENSION: 40 LBS.  
 NOM. WEIGHT/1000 FT.: 29.0 LBS.  
 MIN. BEND RADIUS: .1"  
 NOM. DIAMETER: .365" X .165"  
 APPLICABLE SPECIFICATIONS: UL TYPE CM, CEC C (UL) TYPE CMG, TIA/EIA DRAFT 12 CAT5E SOLID, TIA/EIA CAT 6, DRAFT 7 PATCH, ISO/IEC 11801 CATEGORY 5 PATCH, UL TYPE CM, UL 1581, VERTICAL TRAY, C (UL) TYPE CMG, CSA FT4

FLAME TEST:



## CONNECTOR - SPECIFICATIONS

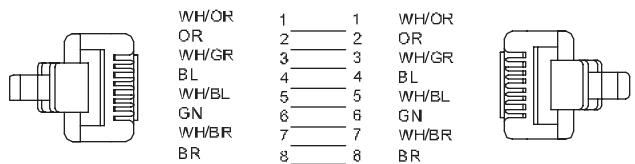
**Performance:** Meets or exceeds Category 5E EIA/TIA 2840, Annex B Specification  
**Contact Material:** Phosphor Bronze - 0.012 THK  
**Contact Plating:** 50 micro-inch: Selective 24-carat hard gold plate in contact area, over 100 micro-inch minimum nickel plate per selective gold requirements.  
**Plug Material:** Polycarbonate  
**Plug Tolerances and Dimensions:** Complies with full F.C.C. Requirements Flame Auto  
**Extinguish Level:** 94-V0 - File #E188111  
**Operational Temperature:** -40°C to +70°C  
**Insertion and Extraction Life:** 1000 cycles  
**Contact Resistance:** 10 MILLOHMS MAX.  
**Current/Voltage:** 30VAC/42VDC at 1.5 AMPS

### Available Colors (YY)

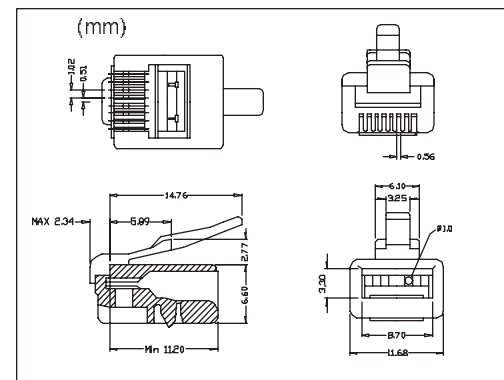
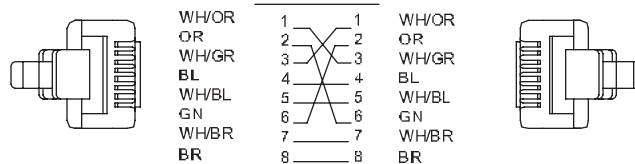
- Gray (GY)
- Blue (BL)
- Green (GN)
- Red (RD)
- Yellow (YL)
- White (WH)
- Black (BK)
- Pink (PK)
- Purple (PP)
- Brown (BR)
- Orange (OR)
- Ivory (IV)



### 568B



### CROSS



SHEET 1 OF 1		ALL COPY RIGHTS RESERVED	
SIZE	LTR	Tri-Net Technology/USA	
DIA	PART NUMBER		
SCALE	05T		
DATE	Jan. 05.02	DRAWING NO.	
DESIGN	DRAWN	CHECKED	