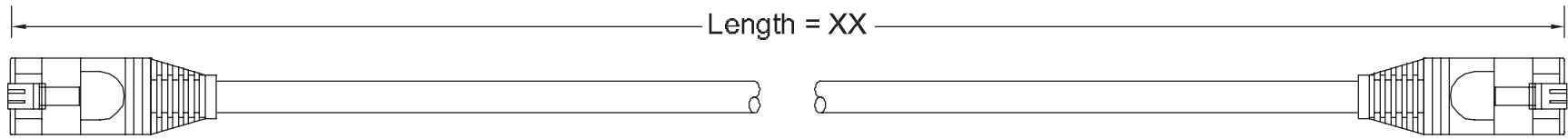


| REVISIONS | | | | |
|-----------|-----|-------------|------|----------|
| ZONE | REV | DESCRIPTION | DATE | APPROVED |



CABLE - SPECIFICATIONS

I. CABLE DESCRIPTION:

High Performance ANSI/TIA/EIA 568A compliant Category 5 UTP patch cables for mission critical LAN applications or Structured Cabling Systems.

- * Conductor: 24AWG stranded bare copper
- * Insulation: FRPE, HDPE
- * Jacket FRPVC

II. APPLICATIONS:

Work Area Outlet to PCs, terminals, workstations, data equipment.
Telecommunications Closet Connecting Hub equipment to Patch Panel.

III. INDUSTRY STANDARDS:

UL/CSA Listed CM, CMR
UL and ETL Verified to ANSI/TIA/EIA 568A Category 5
ISO/IEC-11801
NEMA WC 63.1

IV. PRODUCT ELECTRICAL CHARACTERISTICS:

Impedance: 100±15 ohms
Mutual Capacitance (max. nf/1000ft): 17.1
DC Resistance (max. Ohms/1000ft): 28.6
Propagation Delay Skew: 45 nS/100M
Normal Velocity of Propagation: 66 %

CONNECTOR - SPECIFICATIONS

Performance: Meets or exceeds Category 5 EIA/TIA 2840
Contact Material: Phosphor Bronze - 0.012 THK
Contact Plating: 50 micro-inch Selective gold plate in contact area over 100 micro-inch minimum nickel plating.
Polycarbonate

Plug Material: Polycarbonate
Plug Tolerances and Dimensions: Complies with full F.C.C. Requirements
UL Flammability rating: 94-V0 - File #E188111
Operational Temperature: -40°C to +70°C
Insertion and Extraction Life: 1000 cycles
Contact Resistance: 10 MILLOHMS MAX.
Current/Voltage: 30VAC/42VDC at 1.5 AMPS

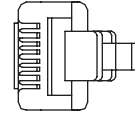
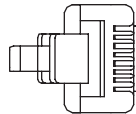
Available Colors (YY)

Gray (GY)
Blue (BL)
Green (GN)
Red (RD)
Yellow (YL)
White (WH)
Black (BK)
Pink (PK)
Purple (PP)
Brown (BR)
Orange (OR)
Ivory (IV)



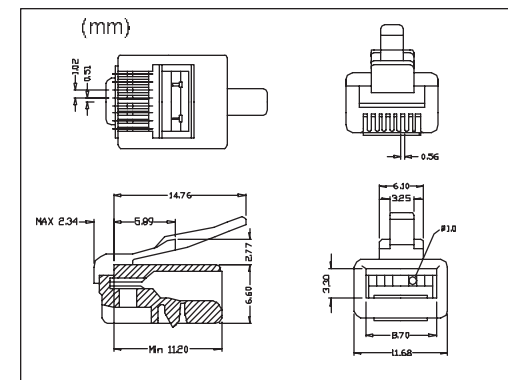
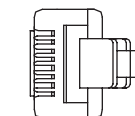
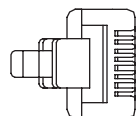
568B

| | | | | |
|-------|---|---|-------|--|
| WH/OR | 1 | 1 | WH/OR | |
| OR | 2 | 2 | OR | |
| WH/GR | 3 | 3 | WH/GR | |
| BL | 4 | 4 | BL | |
| WH/BL | 5 | 5 | WH/BL | |
| GN | 6 | 6 | GN | |
| WH/BR | 7 | 7 | WH/BR | |
| BR | 8 | 8 | BR | |



CROSS

| | | | | |
|-------|---|---|-------|--|
| WH/OR | 1 | 2 | WH/OR | |
| OR | 2 | 1 | OR | |
| WH/GR | 3 | 4 | WH/GR | |
| BL | 4 | 3 | BL | |
| WH/BL | 5 | 6 | WH/BL | |
| GN | 6 | 5 | GN | |
| WH/BR | 7 | 8 | WH/BR | |
| BR | 8 | 7 | BR | |



SHEET 1 OF 1

ALL COPY RIGHTS RESERVED

SIZE LTR

Tri-Net Technology/USA

DIA

PART NUMBER

SCALE

05R

DATE Jan.05.02

DRAWING NO.

DESIGN

DRAWN

CHECKED