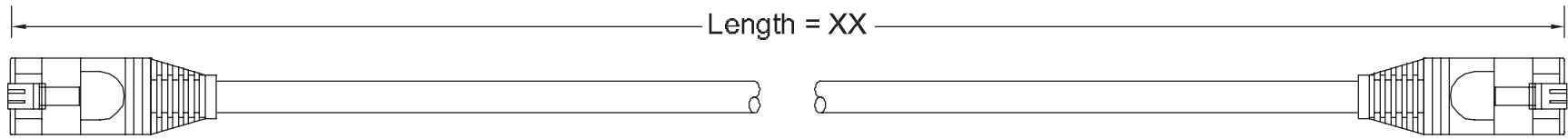


		REVISIONS		
ZONE	REV	DESCRIPTION	DATE	APPROVED



CABLE - SPECIFICATIONS

I. CABLE DESCRIPTION:
 Conductor: 24AWG / 26AWG stranded bare copper
 Insulation: FRPE, HDPE
 Shield: Mylar-Aluminum / Mylar tape
 Drain Wire: 24AWG stranded copper
 Jacket: FRPVC

II. APPLICATIONS:
 10 Base T (IEEE 802.3)
 Fast Ethernet (IEEE 802.3u)
 100 Vg-AnyLAN (IEEE 802.12)
 Token Ring (IEEE 802.5)
 TP-PMD (ANSIX3T9.5)
 100 Mbps CDDI
 ATM155

III. INDUSTRY STANDARDS:
 UL/CSA Listed CM, CMR
 UL and ETL Verified to ANSI/TIA/EIA 568A Category 5
 ISO/IEC-11801
 NEMA WC 63.1

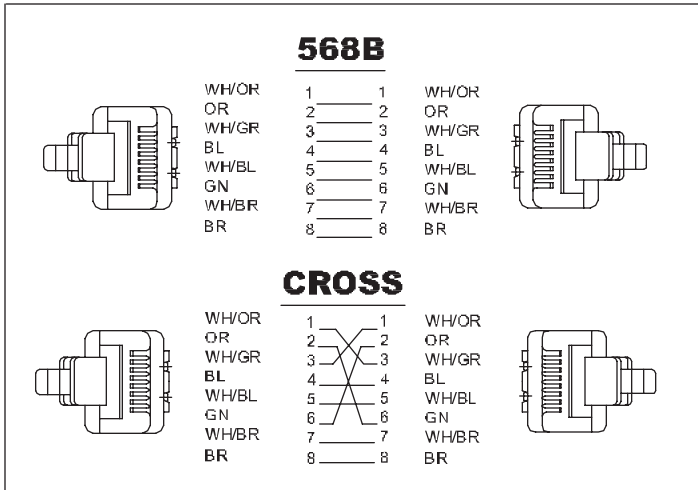
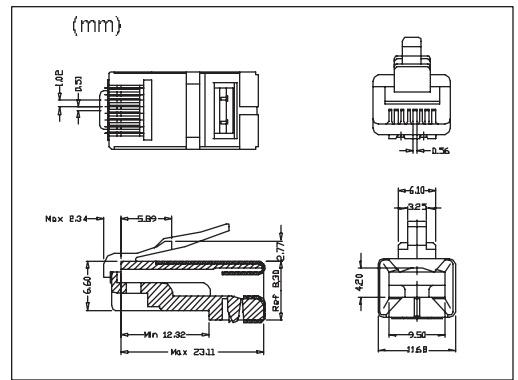
IV. PRODUCT ELECTRICAL CHARACTERISTICS:
 Impedance: 100±15 ohms
 Mutual Capacitance (max. nf/1000ft): 17.1
 DC Resistance (max. Ohms/1000ft): 488
 Propagation Delay Skew: 45 nS/100M
 Normal Velocity of Propagation: 66%



CONNECTOR - SPECIFICATIONS

Performance: Meets or exceeds Category 5 EIA/TIA 2840
Contact Material: Phosphor Bronze - 0.012 THK
Contact Plating: 50 micro-inch Selective gold plate in contact area over 100 micro-inch minimum nickel plating.
Plug Material: Polycarbonate
Shielding Material: Mylar-Aluminum
Plug Tolerances and Dimensions: Complies with full F.C.C. Requirements
UL Flamability rating: 94-V0 - File #E188111
Operational Temperature: -40°C to +70°C
Insertion and Extraction Life: 1000 cycles
Contact Resistance: 10 MILLOHMS MAX.
Current/Voltage: 30VAC/42VDC at 1.5AMPS

Available Colors (YY)	
Gray	(GY)
Blue	(BL)
Green	(GN)
Red	(RD)
Yellow	(YL)
White	(WH)



SHEET 1 OF 1		ALL COPY RIGHTS RESERVED	
SIZE	LTR	Tri-Net Technology/USA	
DIA	PART NUMBER		
SCALE	05H		
DATE	Jan. 05.02	DRAWING NO.	
DESIGN	DRAWN	CHECKED	