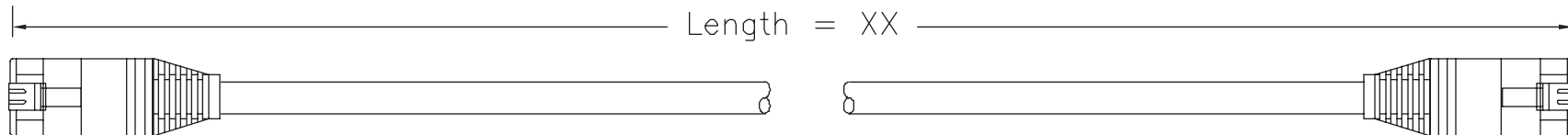


REVISIONS				
ZONE	REV	DESCRIPTION	DATE	APPROVED



CABLE - SPECIFICATIONS

I. CABLE DESCRIPTION:
 High Performance ANSI/TIA/EIA 568A compliant Category 5 UTP patch cables for mission critical LAN applications or Structured Cabling Systems.
 * Conductor: 24AWG stranded bare copper
 * Insulation: FRPE, HDPE
 * Jacket: FRPVC

II. APPLICATIONS:
 Work Area Outlet to PCs, terminals, workstations, data equipment.
 Telecommunications Closet Connecting Hub equipment to Patch Panel.

III. INDUSTRY STANDARDS:
 UL/CSA Listed CM, CMR
 UL and ETL Verified to ANSI/TIA/EIA 568A Category 5
 ISO/IEC-11801
 NEMA WC 63.1

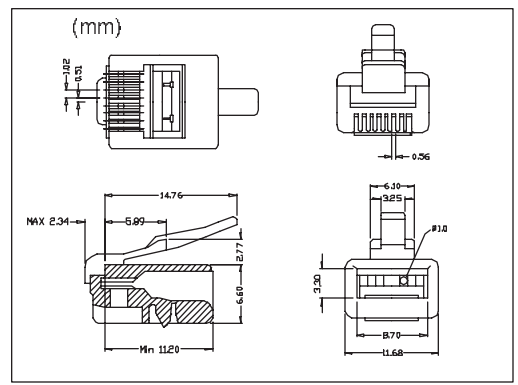
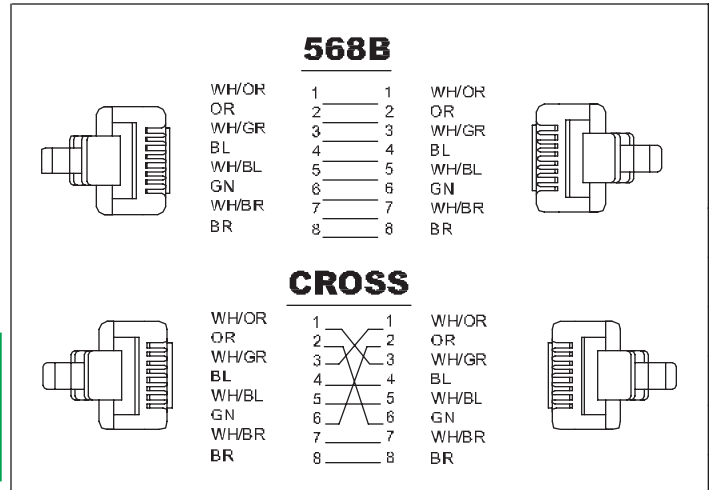
IV. PRODUCT ELECTRICAL CHARACTERISTICS:
 Impedance: 100±15 ohms
 Mutual Capacitance (max. nf/1000ft): 17.1
 DC Resistance (max. Ohms/1000ft): 28.6
 Propagation Delay Skew: 45 nS/100M
 Normal Velocity of Propagation: 66%



CONNECTOR - SPECIFICATIONS

Performance: Meets or exceeds Category 5 EIA/TIA 2840
Contact Material: Phosphor Bronze - 0.012 THK
Contact Plating: 50 micro-inch Selective gold plate in contact area over 100 micro-inch minimum nickel plating.
Plug Material: Polycarbonate
Plug Tolerances and Dimensions: Complies with full F.C.C. Requirements
UL Flamability rating: 94-V0 - File #E188111
Operational Temperature: -40°C to +70°C
Insertion and Extraction Life: 1000 cycles
Contact Resistance: 10 MILLOHMS MAX.
Current/Voltage: 30VAC/42VDC at 1.5 AMPS

Available Colors (YY)	
Gray	(GY)
Blue	(BL)
Green	(GN)
Red	(RD)
Yellow	(YL)
White	(WH)
Black	(BK)
Pink	(PK)
Purple	(PP)
Brown	(BR)
Orange	(OR)
Ivory	(IV)



SHEET 1 OF 1		ALL COPY RIGHTS RESERVED	
SIZE	LTR	Tri-Net Technology/USA	
DIA	PART NUMBER		
SCALE	05E		
DATE	Jan. 05. 02	DRAWING NO.	
DESIGN	DRAWN	CHECKED	