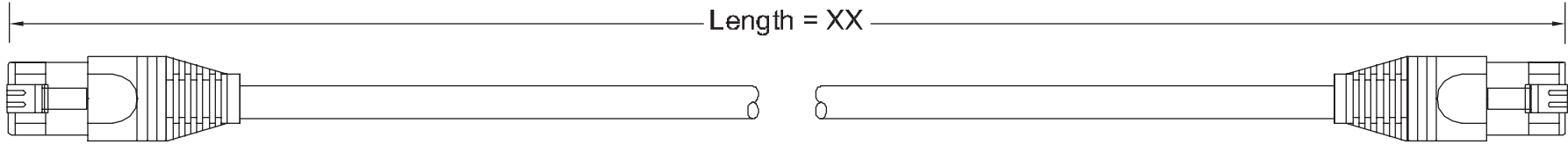


REVISIONS				
ZONE	REV	DESCRIPTION	DATE	APPROVED



CABLE - SPECIFICATIONS

- I. CABLE DESCRIPTION:**
 Conductor: 24AWG / 26AWG stranded bare copper
 Insulation: FRPE, HDPE
 Shield: Mylar-Aluminum / Mylar tape
 Drain Wire: 24AWG stranded copper
 Jacket: FRPVC
- II. APPLICATIONS:**
 10 Base T (IEEE 802.3)
 Fast Ethernet (IEEE 802.3u)
 100 Vg-AnyLAN (IEEE 802.12)
 Token Ring (IEEE 802.5)
 TP-PMD (ANSI X3T9.5)
 100 Mbps CDDI
 ATM155

- III. INDUSTRY STANDARDS:**
 UL/CSA Listed CM, CMR
 UL and ETL Verified to ANSI/TIA/EIA 568A Category 5E
 ISO/IEC-11801
 NEMA WC 63.1

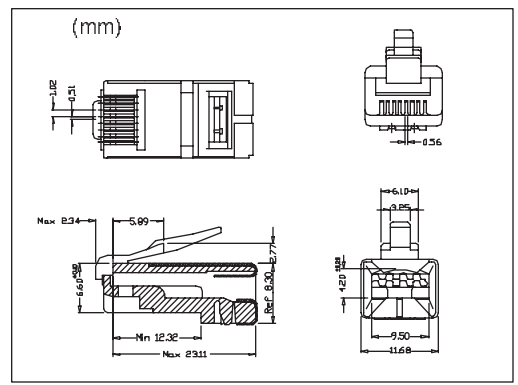
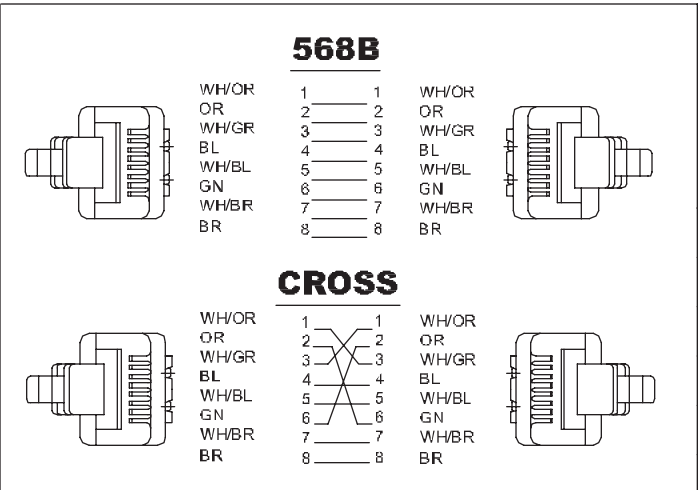
- IV. PRODUCT ELECTRICAL CHARACTERISTICS:**
 Impedance: 100±15 ohms
 Mutual Capacitance (max. nf/1000ft): 17.1
 DC Resistance (max. Ohms/1000ft): 488
 Propagation Delay Skew: 45 nS/100M
 Normal Velocity of Propagation: 66 %



CONNECTOR - SPECIFICATIONS

- Performance:** Meets or exceeds Category 5 EIA/TIA 2840
- Contact Material:** Phosphor Bronze - 0.012 THK
- Contact Plating:** 50 micro-inch Selective gold plate in contact area over 100 micro-inch minimum nickel plating.
- Plug Material:** Polycarbonate
- Plug Tolerances and Dimensions:** Complies with full F.C.C. Requirements
- UL Flamability rating:** 94-V0 - File #E188111
- Operational Temperature:** -40°C to +70°C
- Insertion and Extraction Life:** 1000 cycles
- Contact Resistance:** 10 MILLOHMS MAX.
- Current/Voltage:** 30VAC/42VDC at 1.5 AMPS

Available Colors (YY)	
Gray	(GY)
Blue	(BL)
Green	(GN)
Red	(RD)
Yellow	(YL)



SHEET 1 OF 1		ALL COPY RIGHTS RESERVED	
SIZE	LTR	Tri-Net Technology/USA	
DIA	PART NUMBER		
SCALE	05BH		
DATE	Jan. 05. 02	DRAWING NO.	
DESIGN	DRAWN	CHECKED	