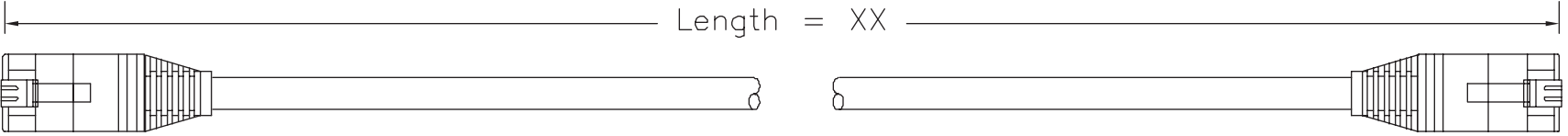


REVISIONS				
ZONE	REV	DESCRIPTION	DATE	APPROVED



CABLE - SPECIFICATIONS

I. CABLE DESCRIPTION:

High Performance ANSI/TIA/EIA 568A compliant Category 5E UTP cables for mission critical LAN applications or future proofing your Structured Cabling Systems. These cables are characterized to 350MHz, Powersum NEXT tested and are manufactured at our UL and BSI Certified ISO-9002 state-of-the-art manufacturing and testing facility. For installer friendly, high performance cables at affordable prices, look no further than Category 5E 350MHz UTP cables.

- * Conductor: 24AWG bare stranded copper
- * Insulation: HDPE, FRPE
- * Jacket: FRPVC

II. APPLICATIONS:

- 10 BaseT (IEEE 802.3)
- Fast Ethernet (IEEE 802.3u)
- 100 Vg-AnyLAN (IEEE 802.12)
- Token Ring (IEEE 802.5)
- TP-PMD (ANSI X3T9.5)
- 100 Mbps CDDI
- ATM 155

III. INDUSTRY STANDARDS:

- UL/CSA Listed CM, CMR
- UL and ETL Verified to ANSI/TIA/EIA 568A Category 5E
- ISO/IEC-11801
- NEMA WC 63.1

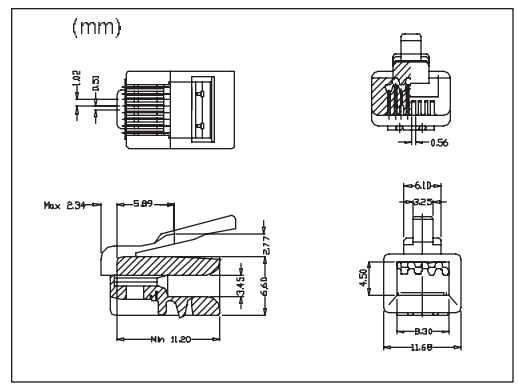
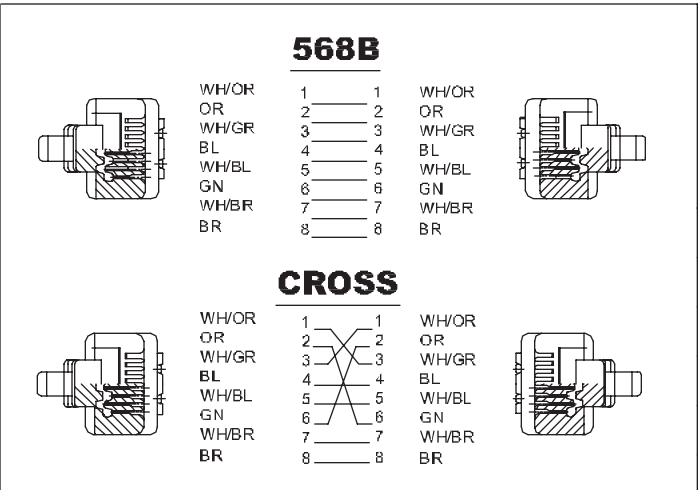
IV. PRODUCT ELECTRICAL CHARACTERISTICS:

Impedance:	100±15 ohms
Mutual Capacitance (max. nF/1000ft):	17.1
DC Resistance (max. Ohms/1000ft):	28.6
DC Resistance Unbalance of a pair:	5% Max.
Capacitance Unbalance (Pair to Ground):	330 pF/100m Max.
Propagation Delay Skew:	35 nS/100m Max.
Normal Velocity of Propagation:	66%
Attenuation-to-Crosstalk Ratio:	@100MHz - 11.9dB/min. 15.9dB/typical @ 155MHz - 1.8dB/min, 5.8dB/typical

CONNECTOR - SPECIFICATIONS

Performance:	Meets or exceeds Category 5E EIA/TIA 2840, Annex B Specification
Contact Material:	Phosphor Bronze - 0.012 THK
Contact Plating:	50 micro-inch: Selective 24-carat hard gold plate in contact area, over 100 micro-inch minimum nickel plate per selective gold requirements.
Plug Material:	Polycarbonate
Plug Tolerances and Dimensions:	Complies with full F.C.C. Requirements Flame Auto
Extinguish Level:	94-V0 - File #E188111
Operational Temperature:	-40°C to +70°C
Insertion and Extraction Life:	1000 cycles
Contact Resistance:	10 MILLOHMS MAX.
Current/Voltage:	30VAC/42VDC at 1.5 AMPS

Available Colors (YY)	
Gray	(GY)
Blue	(BL)
Green	(GN)
Red	(RD)
Yellow	(YL)
White	(WH)
Black	(BK)
Pink	(PK)
Purple	(PP)
Brown	(BR)
Orange	(OR)
Ivory	(IV)



SHEET 1 OF 1		ALL COPY RIGHTS RESERVED	
SIZE	LTR	Tri-Net Technology/USA	
DIA	PART NUMBER		
SCALE	05BE		
DATE	Jan. 05.02	DRAWING NO.	
DESIGN	DRAWN	CHECKED	