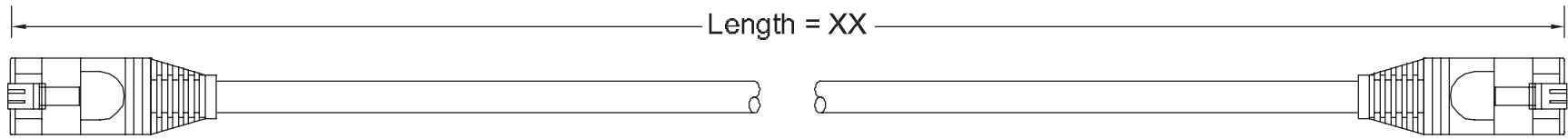


REVISIONS				
ZONE	REV	DESCRIPTION	DATE	APPROVED



CABLE - SPECIFICATIONS

DATATWIST(TM) 350 - PATCH - BELDEN 1752A

I. DESCRIPTION NON-PLENUM PATCH:

4 PAIR UTP (UNSHIELDED TWISTED PAIR) CABLE, 24 AWG STRANDED TINNED COPPER, POLYOLEFIN INSULATED ADJOINED SINGLES FLEXIBLE PVC JACKET. JACKET IS SEQUENTIALLY MARKED AT TWO FOOT INTERVALS. U.S. PATENTS 5,6061,51 AND 5,734,126 AND 5,763,823.

II. APPLICATIONS:

HIGH FLEXIBILITY, HIGH FLEX LIFE PATCH CORDAGE. RJ-45 COMPATIBLE FOR EITHER T568A OR T568B CONFIGURATIONS. PATENTED DESIGN MINIMIZES CHANGES IN ELECTRICAL CHARACTERISTICS DUE TO BENDING AND KINKING ASSOCIATED WITH PATCH CABLES. PATCH CABLE IMPEDANCE IS MATCHED WITH DATATWIST 350 HORIZONTAL CABLES TO REDUCE SIGNAL REFLECTIONS CAUSED BY IMPEDANCE MISMATCHES AND DECREASE SYSTEM RETURN LOSS. RESISTANT TO ATTENUATION INCREASES DUE TO HIGH HUMIDITY ENVIRONMENTS.

III. PHYSICAL CHARACTERISTICS:

TEMPERATURE RANGE: -20 TO 80 C
 INSULATION MATERIAL: POLYOLEFIN
 JACKET MATERIAL: PVC
 MAX. PULLING TENSION: 40 LBS.
 MIN. CONDUCTOR OD: 0.022"
 MIN. INSULATION OD: 0.037"
 MAX. INSULATION OD: 0.039"
 NOM. WEIGHT/1000 FT.: 25.0 LBS.
 MIN. BEND RADIUS: .25"
 NOM. DIAMETER: .220"

APPLICABLE SPECIFICATIONS:

TIA/EIA 568-A-5 CATEGORY 5E PATCH
 TIA/EIA 568A, CATEGORY 5 PATCH
 UL VERIFIED TO CATEGORY 5E PATCH
 ISO/IEC 11801, CATEGORY 5E PATCH
 ICEA 661, CAT 5X-100 PATCH
 NEMA WC-63.1 CATEGORY 5 PATCH
 UL 1581 VERTICAL TRAY,
 C(UL) TYPE CM, CSA FT1

FLAME TEST:



CONNECTOR - SPECIFICATIONS

Performance: Meets or exceeds Category 5E EIA/TIA 2840
 Contact Material: Phosphor Bronze - 0.012 THK
 Contact Plating: 50 micro-inch Selective gold plate in contact area over 100 micro-inch minimum nickel plating.
 Polycarbonate

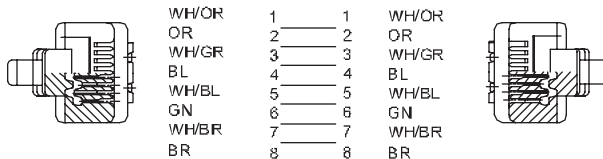
Plug Material:
 Plug Tolerances and Dimensions: Complies with full F.C.C. Requirements
 UL Flammability rating: 94-V0 - File #E188111
 Operational Temperature: -40°C to +70°C
 Insertion and Extraction Life: 1000 cycles
 Contact Resistance: 10 MILLOHMS MAX.
 Current/Voltage: 30VAC/42VDC at 1.5 AMPS

Available Colors (YY)

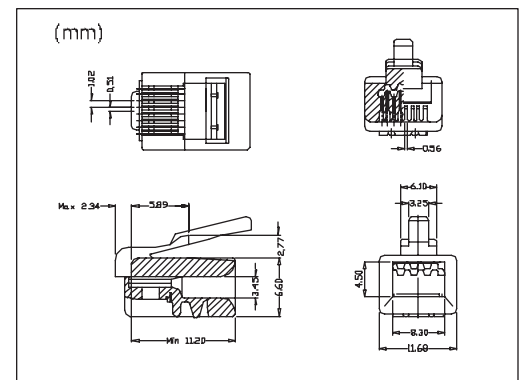
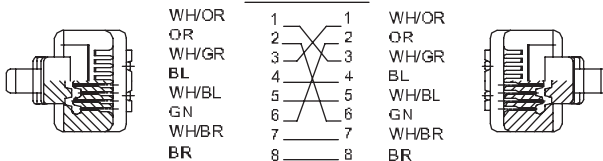
Gray (GY)
 Blue (BL)
 Green (GN)
 Red (RD)
 Yellow (YL)
 White (WH)
 Black (BK)
 Pink (PK)
 Purple (PP)
 Brown (BR)
 Orange (OR)
 Ivory (IV)



568B



CROSS



SHEET 1 OF 1		ALL COPY RIGHTS RESERVED	
SIZE	LTR	Tri-Net Technology/USA	
DIA	PART NUMBER		
SCALE	05AW		
DATE	Jan. 05.02	DRAWING NO.	
DESIGN	DRAWN	CHECKED	