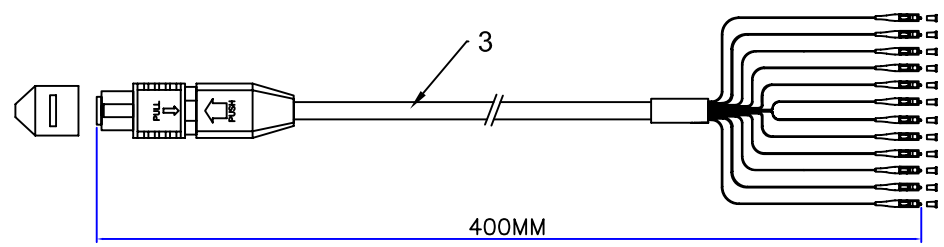
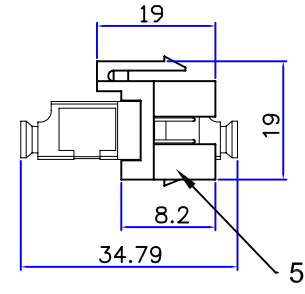
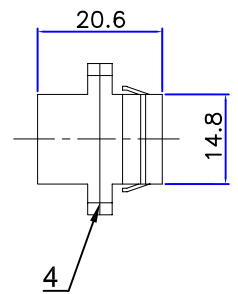
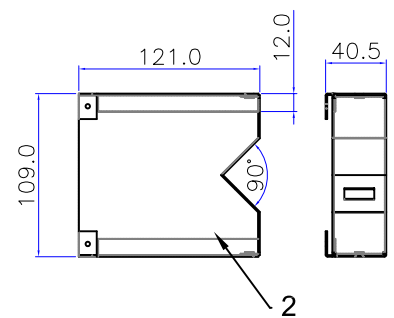


Specification:

MTP to LC Rack-mount panel

1. Panel: 1U 24 ports high density patch panel, Black coating, white silkscreen.
2. Box: SPCC, Black coating.
3. Cable: MTP to 12LC fan out cable, 10Gbps.
4. Adapter: MTP to MTP adapter
5. Adapter: Duplex LC multi-mode adapter, snap-in module
6. Module: Snap-in bezel,AUQA color.



C				
B				
A	INITIAL RELEASE			02/14/08
REV	DESCRIPTION OF CHANGE			DATE
TOLERANCE		Tri-Net Technology, Inc.		
INCHES		M/M		
.X	.015	.30	http://www.trinetusa.com	
.XX	.010	.10	SCALE	NONE
.XXX	.005	.05	UNIT	MM
DRAWN BY	Debird		SHEET	1/1
CHECK BY			DATE	02/14/08
APPD BY			DWG NO.	
TITLE			REV A	
24ports MTP to LC rack mount panel				
PART NO.			898-DLC-24-10G	