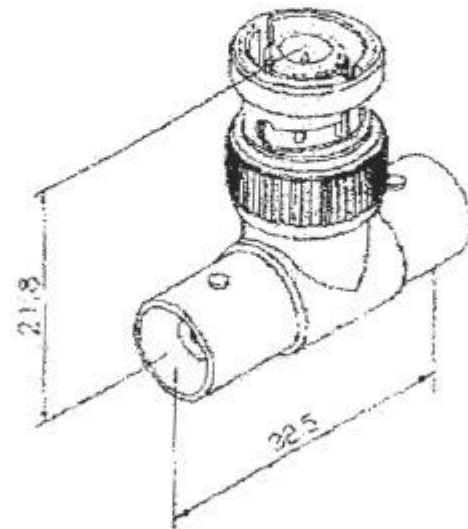
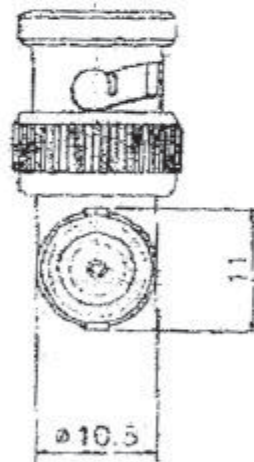
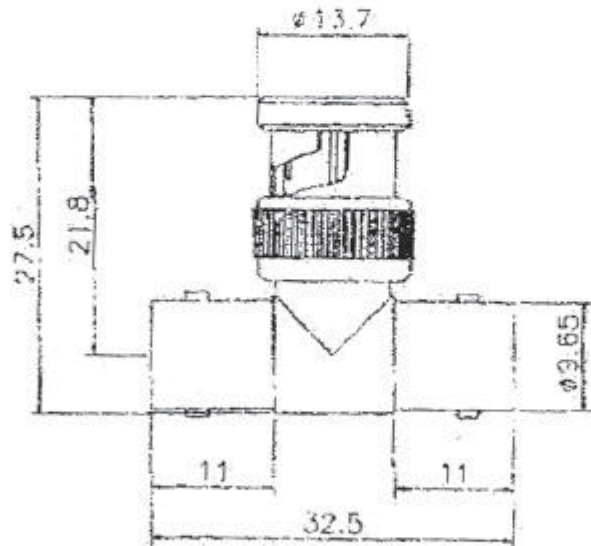


**MATERIAL & FINISH**

BODY : ZINC ALLOY, NICKEL PLATING  
 DIELECTRIC : PE-606  
 FEMALE CONTACT : PHOSPHOR BRONZE, GOLD PLATING  
 MALE CONTACT : BRASS, GOLD PLATING  
 SPRING : SWPB  
 GASKET : SIRUBBER

**SPECIFICATION**

IMPEDANCE : 50 ohm  
 VOLTAGE RATING : 500V rms  
 FREQUENCY RANGE : 0-4 GHz  
 INTERFACE PER MIL-C-39012C



SURFACE FINISHES	NO	REVISION	DIMENSION	DESCRIPTION	DATE

**REMARKS**

UNLESS OTHERWISE NOTED  
 TOLERANCES ARE :  
 DECIMAL  
 X.X ±0.3  
 X.XX ±0.15

SHEET 1 OF 1	ALL COPY RIGHTS RESERVED
SIZE A	<b>TNT</b> Tri-Net Technology
MEA. mm[INCH]	
DATE 2/14/97	TITLE
DWG NO. A0280	50 BNC "T" ADAPTOR
SCALE: NONE	PART NO. 106-TFMF