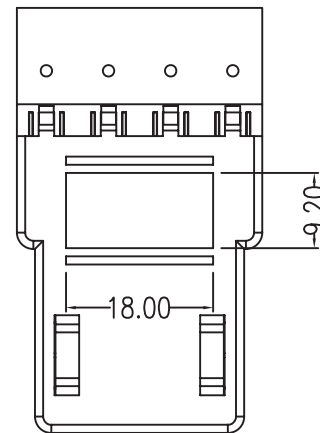
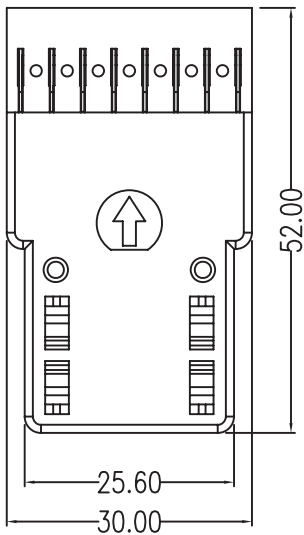
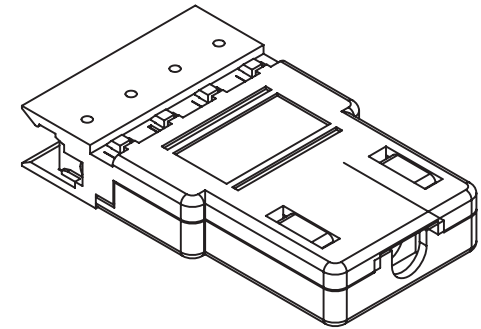
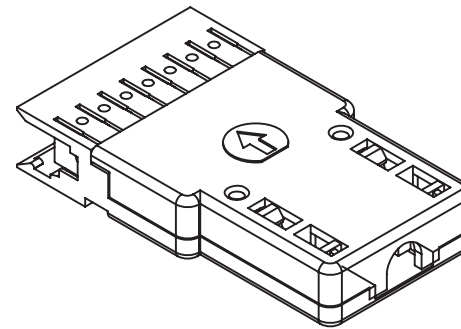


REVISIONS				
ZONE	REV	DESCRIPTION	DATE	APPROVED
	↑			
	↑			



MATERIALS

PLASTIC: PC UL94V-0


CONTACT: PHOSPHOR BRONZE C5191R-H

PLATING: Ni40 u"min, PARTIALLY: Au2u"Min

TEMPERATURE: -40°C ~ 70°C

HUMIDITY: 10% ~ 90% RH



COMMON TOLERANCE			SHEET OF		ALL COPY RIGHTS RESERVED	
CLASS DIMENSION	A	B	SIZE	A4	 Tri-Net Technology, Inc. TITLE <h1>094-4</h1>	
	L<=3	±0.05	±0.1	DIA		
3<L<=6	±0.05	±0.1	SCALE	1:1		
6<L<=16	±0.1	±0.15	DATE	2003.11.25	DRAWING NO.	
16<L<=30	±0.1	±0.2	DESIGN		DRAWN	CHECKED
30<L<=120	±0.15	±0.3				
120<L<=315	±0.2	±0.5				