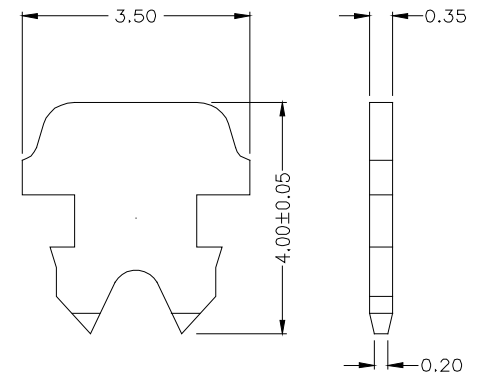
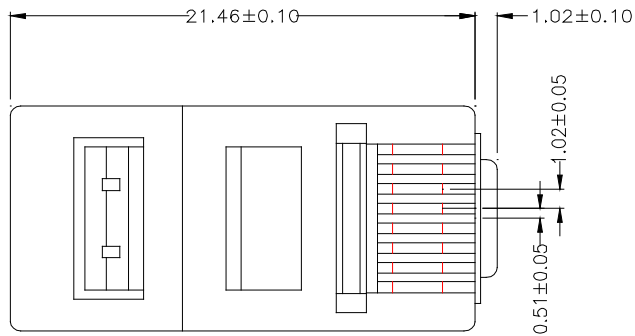


NOTES:

1. ALL DIMENSIONS ARE "MM".
 2. ELECTRICAL:
 UL APPLICATIONS: 250 VOLTS AC MAX. , AT 2 AMPS.
 DIELECTRIC WITHSTANDING VOLTAGE: 500 VOLTS AC.
 INSULATION RESISTANCE: 500 MEGOHMS.
 TERMINATION RESISTANCE: 35 MILLIOHMS MAX
 AFTER ENVIRONMENTAL TESTING
 3. MECHANICAL:
 CABLE-TO-PLUG TENSILE STRENGTH: 20 lbs(89N)MIN
 DURABILITY: 200 MATING CYCLES.
 4. MATERIAL & FINISH:
 HOUSING: POLYCARBONATE , VL94-2.
 CONTACT: HIGH STRENGTH COPPER ALLOY.
 6u" GOLD PLATING OVER 100 MICRO INCH
 NICKEL..
- CONDUCTOR: STRANDED. 24. 26. 28 AWG.



ITEM NO :		060-R88-T-6	
DSGN	S.NIKO	UNIT	m /m
CHK		SCALE	3 / 1
APPR		DATE	02/02/2009