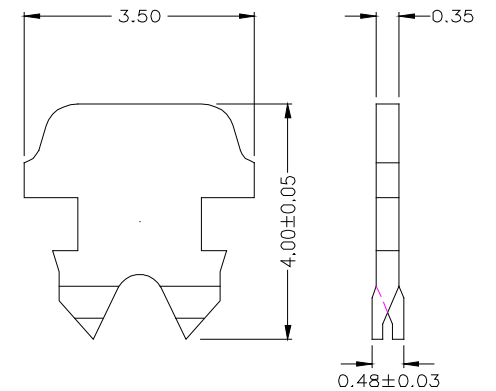
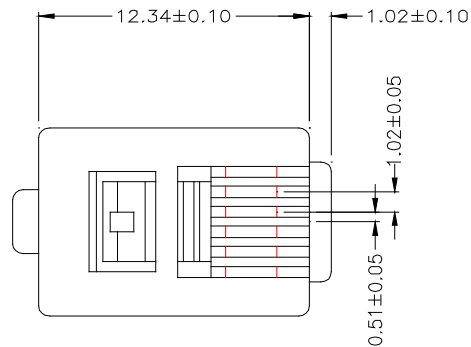


NOTES:

1. ALL DIMENSIONS ARE "MM".
2. ELECTRICAL:
UL APPLICATIONS: 250 VOLTS AC MAX. , AT 2 AMPS. DIELECTRIC WITHSTANDING VOLTAGE: 500 VOLTS AC.
INSULATION RESISTANCE: 500 MEGOHMS.
TERMINATION RESISTANCE: 35 MILLIOHMS MAX AFTER ENVIRONMENTAL TESTING
3. MECHANICAL:
CABLE-TO-PLUG TENSILE STRENGTH: 20 lbs (89N)MIN
DURABILITY: 200 MATING CYCLES.
4. MATERIAL & FINISH:
HOUSING: POLYCARBONATE , VL94-2.
CONTACT: HIGH STRENGTH COPPER ALLOY.
6u" GOLD PLATING OVER 100 MICRO INCH NICKEL..
CONDUCTOR: SOLID. 24. 26. 28 AWG.



ITEM NO :		060-F66-S-6	
DSGN	S. NIKO	UNIT	m /m
CHK		SCALE	3 /1
APPR		DATE	02/02/2009