

060-BOOT-8-XX

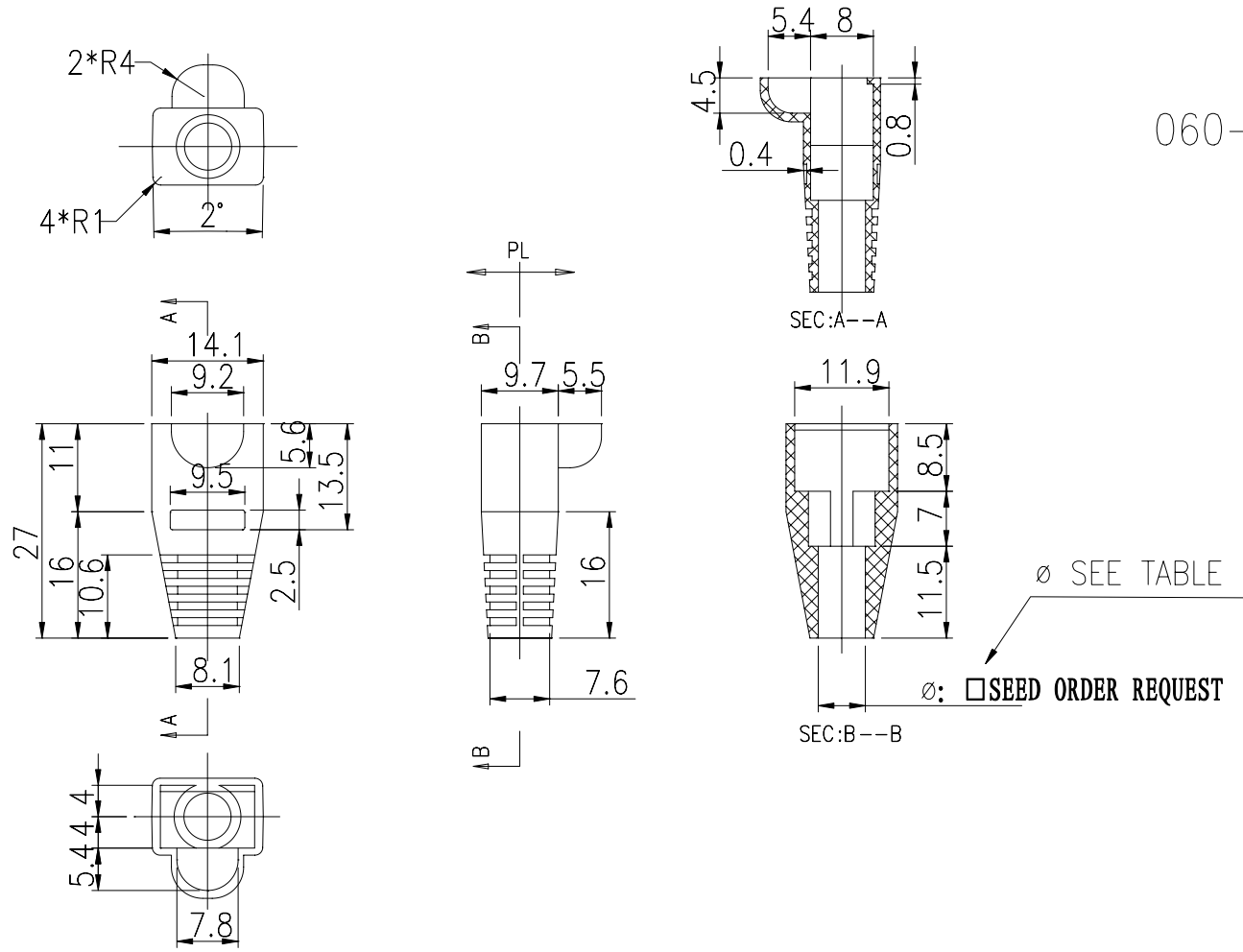


TABLE	
P/N	O.D()
060-BOOT-8-XX	6.0
060-BOOT-8-XX	6.2
060-BOOT-8-XX	6.4

- XX = COLOR CODE
- BK = BLACK
- BL = BLUE
- BW = BROWN
- GN = GREEN
- GY = GREY
- IV = IVORY
- OR = ORANGE
- PK = PINK
- PP = PURPLE
- RD = RED
- WH = WHITE
- YL = YELLOW

NOTE:
 1. BOOT USE 60P PVC MOLDING.
 2. Put 100pcs into a 7"x9"x0.06mm plain PE bag.
 And put 1pc label (black words with white background) onto the very middle of PE bag. Mark the product name, qty and OD on the big bag & the master ctn if packing and shipping with other items of TNT/USA, But if packing all this same item, mark the total qty and OD on the master ctn.
 3. Mold No. is TNT-BOOT-01 (Pay special attention to mold loading bar and OD because there're multi-cable holes on it).



TOLERANCE		M/M					
INCHES							
.X	.015	.30		TNT Tri-Net Technology, Inc.		http://www.trinetusa.com	
.XX	.010	.10		SCALE	NONE	⊕	REV
.XXX	.005	.05		UNIT	MM		
DRAWN BY	WENDI			SHEET	1/1	DWG NO.	A
CHECK BY				DATE	08/02/06	TNT-S101-0044	
APPD BY				TITLE	8P8C ASS'Y BOOT		
				PART NO.	060-BOOT-8-XX		