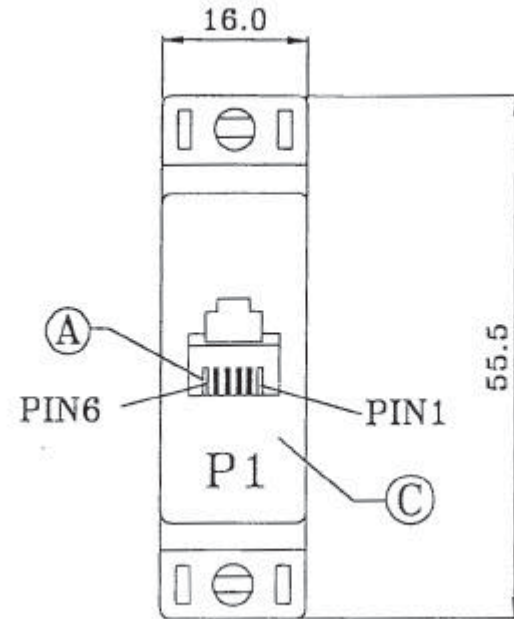
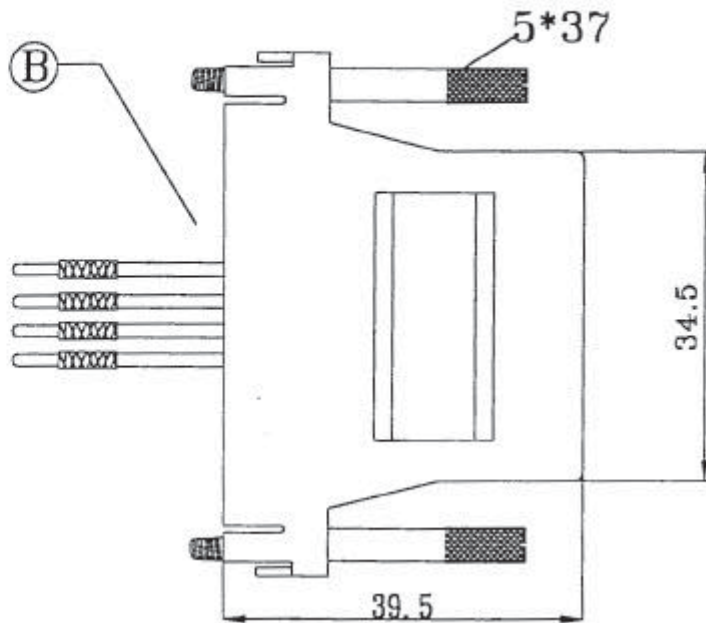
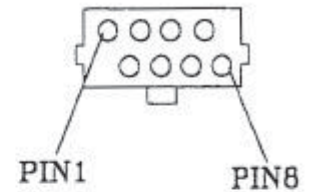


DB25M



P2



P1	P2		
2	(3)	————	BLACK
3	(4)	————	RED
4	(5)	————	GREEN
5	(6)	————	YELLOW



ITEM NO	ITEM	DESCRIPTION	UNIT	QTY
D		DB25 M BLACK	PCS	1
C	JACK	RJ12 JACK 6P4C ABS 94V-2 GREY	PCS	1
B	WIRE	UL#1061 28AWG 65MM.	PCS	4
A	GOLD WIRE	13MM;15MM GOLD FLASH.	PCS	4

TOLERANCE GENERALES											
PLASTIC DIMENSION	10	25	40	60	80	100	160	250	以上	CABLE LENGTH	X
tolerance(±)	0.10	0.15	0.20	0.25	0.30	0.35	0.40	0.50	0.55	tolerance(±)	2%
CHECKED	K. bin / K		DRAW	Wang / Kaitua		UNIT	MM				
INSPECTED	Zhou / J		CUS.PART NO.	500-D25-4MK-XX		SCALE	1.5:1				
APPROVED	Thomas / S		CUSTOMER	聯網		DATE	02/05/30				
TITLE	TL011AX6+1NX0/25M										
DRAWING NO.	S3256	REV	A								

Tri-Net Technology, Inc.