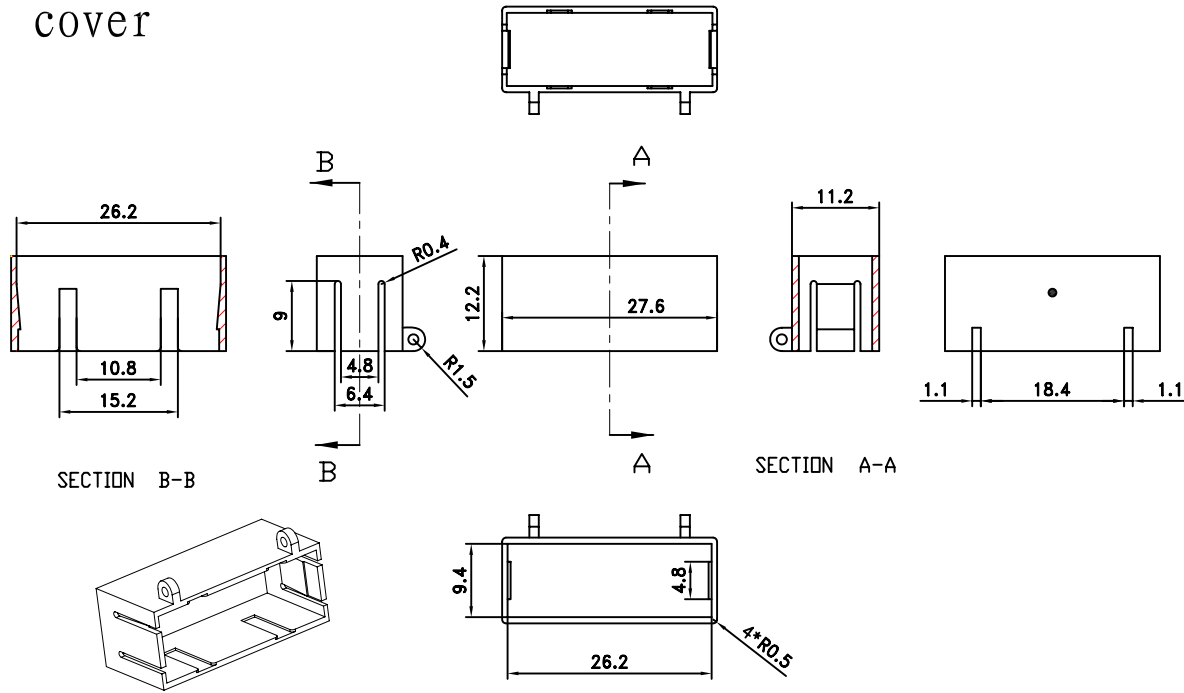
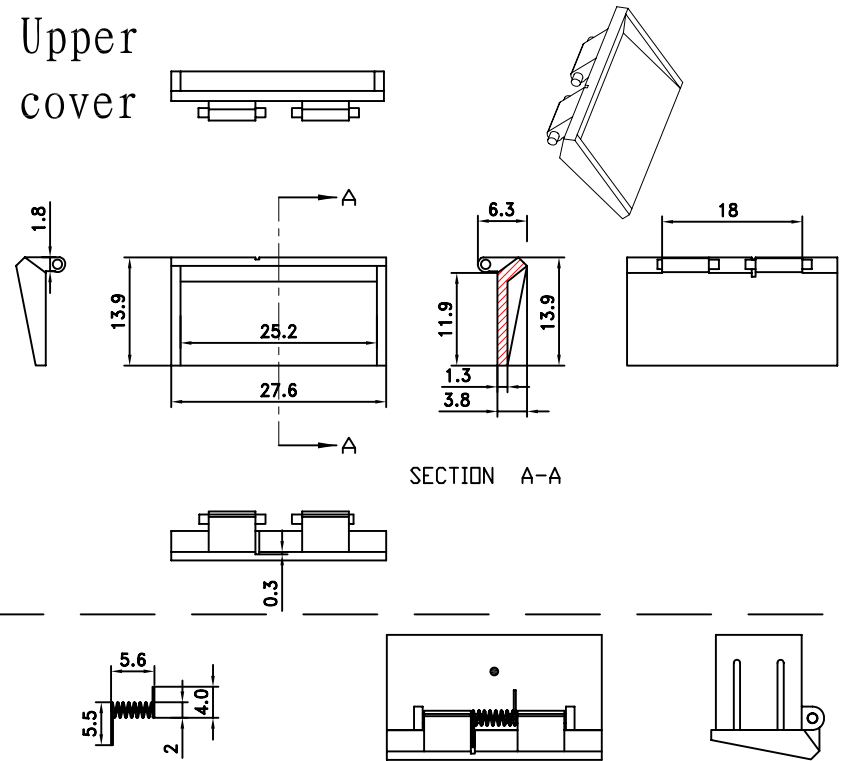


Bottom cover



Upper cover



Spring P/N:  
SN-AD-MT-01

ASSEMBLY

APPROVED BY \_\_\_\_\_  
 COMPANY: \_\_\_\_\_  
 PURCHASING/ENGINEER: \_\_\_\_\_  
 DATE: \_\_\_\_\_



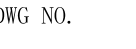
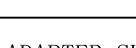


XX=COLOR  
 IV OR BG=BEIGE BL=BLUE  
 GN=GREEN OR=ORANGE  
 WH=WHITE RD=RED  
 BK=BLACK YL=YELLOW GY=GREY

Notes:

The current is beige blue, And available in 9 different colors.

TNT P/N:  
 895-DSC-SHUTTER-XX  
 SPEC:  
 SC Duplex Adapter Shutter



TOLERANCE		INCHES		M/M		 Tri-Net Technology, Inc. <a href="http://www.trinetusa.com">http://www.trinetusa.com</a>		 REV A	
.X	.015	.10	.30	SCALE	NONE	 DWG NO.			
.XX	.010	.10	.10	UNIT	MM				
.XXX	.005	.05	.05	SHEET	1/1				
DRAWN BY				DATE	12/01/03				
CHECK BY				TITLE:		SC DUPLEX ADAPTER SHUTTER			
APPD BY				PART NO.		895-DSC-SHUTTER-XX			