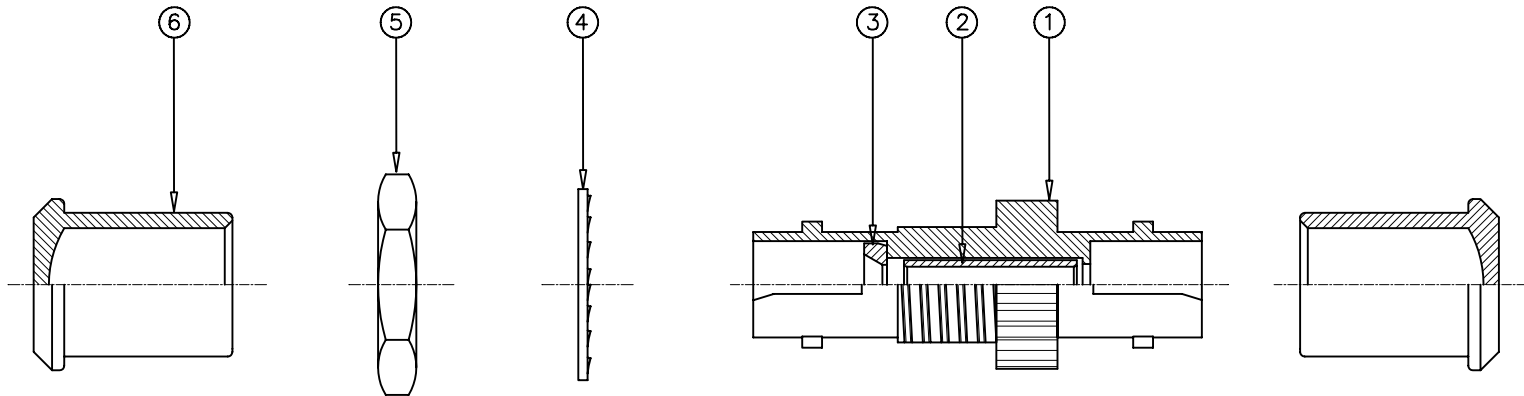


SUGGESTED PANEL CUTOUT



MECHANICAL

1. ST HOUSING: ZINC ALLOY, NICKEL PLATING.
2. SLEEVE: PHOSPHOR BRONZE.
3. BUSH: ZINC ALLOY, NICKEL PLATING.
4. WASHER: STEEL, NICKEL PLATING.
5. NUT: BRASS, NICKEL PLATING.
6. DUST COVER: PVC.

Parameter	Condition	Multimode	Singlemode
Insertion loss	$\lambda = 1300\text{nm}$	<0.3dB	<0.2dB
Operation Temperature	-20~70°C	0.2dB	0.2dB
Durability Temperature	500 cycles	0.2dB	0.2dB
Cycle	-20~80°C	0.2dB	0.2dB
Tensile Strength	10kgf	0.2dB	0.2dB



TOLERANCE			Tri-Net Technology, Inc. http://www.trinetusa.com			
INCHES	M/M					
.X	.015	.30	SCALE	1/1		REV A
.XX	.010	.10	UNIT	MM		
.XXX	.005	.05	SHEET	1/1	DWG NO.	
DRAWN BY	Jack		DATE	10/12/04		
CHECK BY	Debird		TITLE ST-ST MM SIMPLEX ADAPTER			
APPD BY	Peter		PART NO. 890-ST-ST-M			