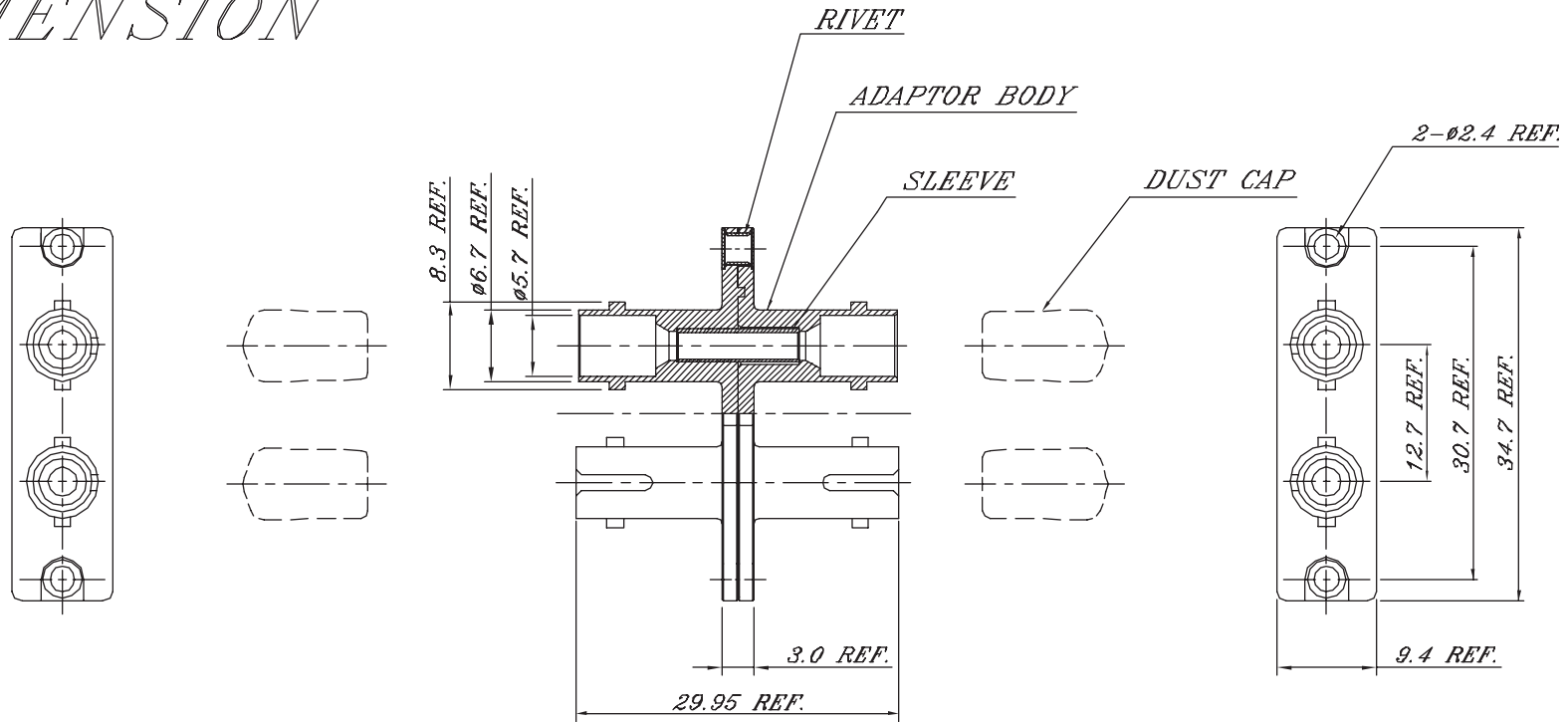


1. DIMENSION



NO.	DESCRIPTION	MATERIAL & TREATMENT	REMARK
1	ADAPTOR BODY	ZINC ALLOY WITH NICKEL PLATING.	
2	SLEEVE	ZIRCONIA(CERAMIC)	
3	DUST CAP	PVC,COLOR RED.	
4	RIVET	COPPER WITH NICKEL PLATING.	



UNLESS OTHERWISE SPECIFIED		BY	DATE	TNT Tri-Net Technology/USA				
FRACTIONS $\pm 4/10$ REMOVE BURRS & SHARP EDGES .250 MAX MACHINE FILLET RADIUS .250 R MAX ALL DIAS. TO BE CONCENTRIC WITHIN .125 T.I.R. INTERPRETATION PER MIL STD 8 10 & 12		DRAWN:		MATERIAL:		TITLE: ST-ST DUPLEX ADAPTOR METAL FLANGE TYPE (SINGLE MODE)		
		CHK 'D:						
		APPRV:		SEE NOTES		UNITS: mm	A4 SIZE	REV. AST-STCFMOR2 A
		PROCESS:	SEE NOTES					
		FINISH:	SEE NOTES					
		PART NO.	890-DST-DST-S	SCALE		SHT 1 OF 2		