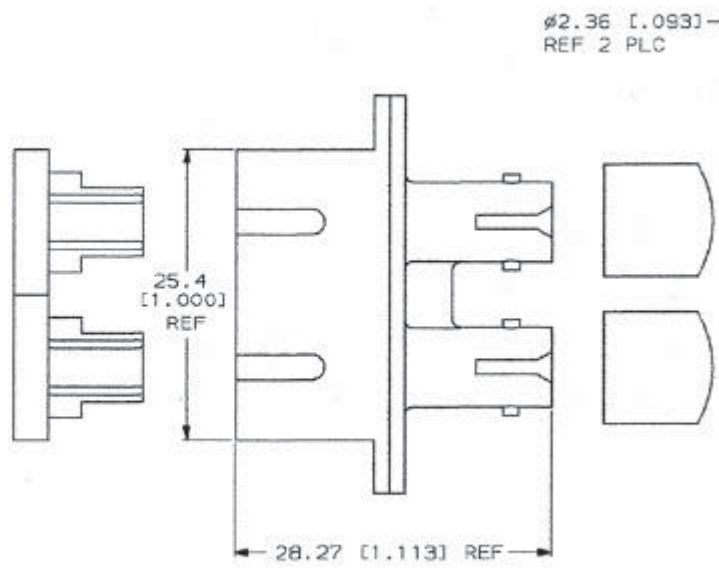
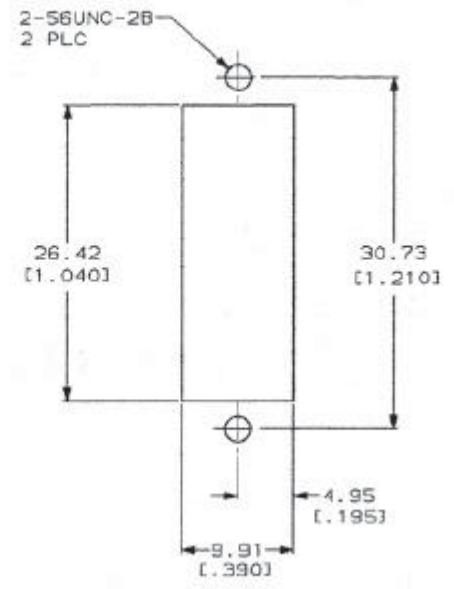
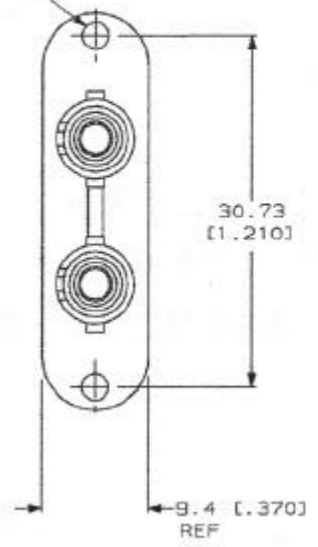


| LOC | DIST | ZONE | LTR | REV | PER | DESCRIPTION | DATE | APPRO |
|-----|------|------|-----|-----|-----|----------------------|----------|-------|
| CE | 16 | | | D | | REV PER 0A00-0178-98 | 10/28/98 | JW/JE |



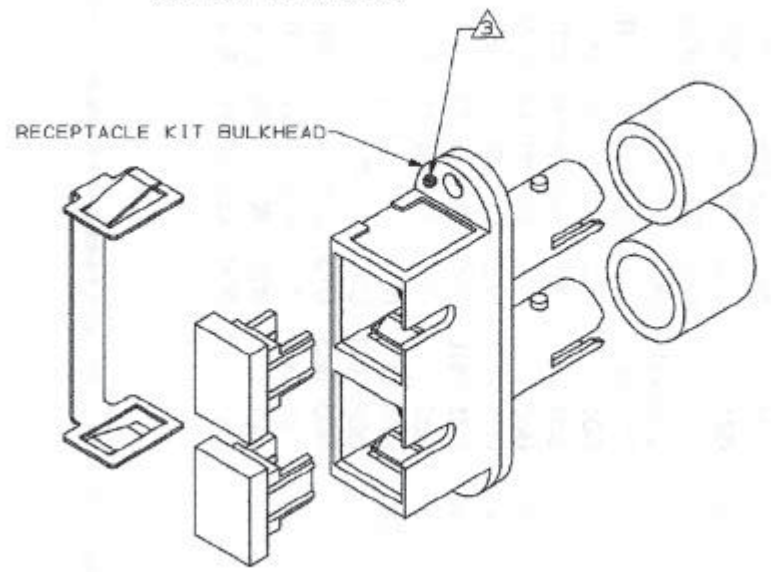
#2.36 [1.093]
REF 2 PLC




SUGGESTED PANEL CUTOUT

- 1 MATERIAL:
 BODY: THERMOPLASTIC
 SLEEVE: PHOSPHOR BRONZE
 DUST COVER: THERMOPLASTIC ELASTOMER

2. DIMENSIONS IN [] ARE IN INCHES.
 3 PART IDENTIFIER



| INCLUDED HARDWARE | COLOR | ALIGNMENT SLEEVE MATERIAL | PART NO |
|-------------------|-----------|---------------------------|----------|
| RETENTION CLIP | BLACK | METAL | 504663-5 |
| RETENTION CLIP | BEIGE | METAL | 504663-4 |
| NONE | BLACK | METAL | 504663-3 |
| NONE | BEIGE | METAL | 504663-2 |
| NONE | LT ALMOND | METAL | 504663-1 |

| | | | |
|--|--|---|---------------------------|
| DO NOT SCALE PRINT. UNLESS SPECIFIED DIMENSIONS IN INCHES TOLERANCES ON: 2 PLC DEC ± - 3 PLC DEC ± - ANGLES ± - | DR 8-3-95 B.BRIGGS CHK 8-3-95 B.BRIGGS APPD 8-3-95 S.WILCOX APPD 8-3-95 D. STAKER PRODUCT SPEC - |  Tri-Net Technology / U.S.A. TITLE DUPLEX RECEPTACLE KIT, MULTIMODE, BULKHEAD, SC TO ST | |
| FINISH - | APPLICATION SPEC - | SIZE C | FSCH NO 00779 |
| | WEIGHT - | SCALE 3:1 | PART NUMBER 890-DST-DSC-M |
| | | | SHEET 1 OF 1 |

METRIC